

BRL-K21013/01

Date 2019-11-01

Evaluation Guideline

for the Kiwa product certificate for Container tanks



This evaluation guideline covers the production of:
Steel container tanks with a maximum capacity of 50 m³ for the stationary
aboveground atmospheric storage of liquids

**Trust
Quality
Progress**

Amendment to BRL-K21013/01

Date of amendment 22 June 2021

Technology code OGC-12: Product schemes steel

Validated by Board of Experts Tanks, Tank installations and Appendages dated 3 September 2021

The use of this Evaluation Guideline by third parties, for any purpose whatsoever, is only allowed after a written agreement is made with Kiwa to this end.

Validity

This amendment sheet pertains to BRL-K21013/01 "Container tanks" dated 01-11-2019.

This Evaluation Guideline pertains to the production of: Steel container tanks for the stationary aboveground atmospheric storage of liquids up to a maximum capacity of 50 m³.

Re-issue of quality declarations based on this Evaluation Guideline is not necessary.

Validation

This amendment sheet has been validated by Kiwa per 01-10-2021.

Preface

This amendment sheet is made because sometimes there is insufficient space at the top of installed container tanks. As a result, the manhole at the top is not sufficiently accessible. Common example of insufficient space is: emergency power systems, where generators are placed directly at the top of tank container. Till now a risk inventory and evaluation must be made for this deviated manhole. With this amendment sheet it is no longer necessary to set up a risk inventory and evaluation for this deviation.

4.3 Manholes

Second and third paragraph to revise as follows:

...

A manhole opening is always provided on the top of the tank. A manhole in the side of the tank is possible based on specific wishes of the client, for example insufficient space at the top of the container tank. The requirements below apply for a manhole in the side of the tank:

- The tank is double walled. The manhole in the side of the tank is also double walled.
- A cylindrical manhole in the outer tank must at least have a diameter of 200 mm bigger than the diameter of the manhole in inner tank. The manhole in outer tank is in accordance with the general dimensions for cylindrical manholes and their components.
- The side of a rectangular manhole shall be 50 mm more than the sides of the manhole flange in the inner tank. The manhole in the outer tank is in accordance with the general dimensions for rectangular manholes and their components.
- The manhole cover of the manhole in the outer tank is provided with a "davit" or hinge.
- A provision is made at the manhole cover of the inner tank to connect to a "davit", hinge or other lifting device.
- The leak detection system to use must be in accordance with BRL-K910 / EN 13160 class 1.

Tanks or compartments longer than 10 meters shall have two manhole openings. For effective ventilation of the tank or compartment, it is recommended that the manhole openings are spaced as far apart as possible. The manhole opening shall be easily accessible for an internal inspection of the tank. If the tank is placed in a container, the manhole opening shall be accessible for the safe entry of the tank for internal inspections.

Remark: In order to maintain the readability of the Evaluation Guideline, this amendment sheet contains a table with references to the changed articles and texts. See table below.

The table below indicates to which articles texts the changes apply. To maintain the readability of the Evaluation Guideline the changes are made directly in the text. Extra text and new text is highlighted. Lapsed text is strikethrough.

| Date | Art. | Description | Remark |
|------------|------|-------------|--------|
| 01-10-2021 | 4.3 | Text change | None |

Preface

This Evaluation Guideline (BRL) has been accepted by the Kiwa Board of Experts Tanks, Tank installations and Appendages (TTA), in which all relevant parties in the field of container tanks are represented. The Board of Experts also supervises the certification activities and where necessary requires the Evaluation Guideline to be revised. All references to Board of Experts in this Evaluation Guideline pertain to the above-mentioned Board of Experts.

This Evaluation Guideline will be used by Kiwa in conjunction with the Kiwa Regulations for Certification.

REMARK: THIS IS AN ENGLISH TRANSLATION OF THE DUTCH VERSION OF THIS EVALUATION GUIDELINE. IN CASE OF A DISPUTE, THE DUTCH VERSION SHALL BE BINDING.

Kiwa Nederland B.V.

Sir Winston Churchilllaan 273
Postbus 70
2280 AB RIJSWIJK

Tel. 088 998 44 00
Fax 088 998 44 20
info@kiwa.nl
www.kiwa.nl

© 2019 Kiwa N.V.

Alle rechten voorbehouden. Niets uit deze uitgave mag worden verveelvoudigd, opgeslagen in een geautomatiseerd gegevensbestand, of openbaar gemaakt, in enige vorm of op enige wijze, hetzij elektronisch, mechanisch, door fotokopieën, opnamen, of enig andere manier, zonder voorafgaande schriftelijke toestemming van de uitgever.

Het gebruik van deze Beoordelingsrichtlijn door derden, voor welk doel dan ook, is uitsluitend toegestaan nadat een schriftelijke overeenkomst met Kiwa is gesloten waarin het gebruiksrecht is geregeld.

Bindend verklaring

Deze beoordelingsrichtlijn is door Kiwa bindend verklaard per 01-11-2019.

This Evaluation Guideline has been prepared by a working group (WG) with representatives from the Criteria Committee 36 (CC36) and other experts representing the market for tanks and tank storage installations. This Evaluation Guideline has subsequently been reviewed by the Criteria Committee 36. The working group and the criteria committee are constituted as follows:

| Person | CC36 | WG | Represents | Employer |
|-----------------------------|------|----|--|-----------------------------|
| R. Achterberg | | X | Supplier tank installations | TSG |
| B. Broekhuizen | X | X | Manufacturer tanks and appendages / inspection company non-stationary storage tank installations | Van der Ziel Milieutechniek |
| P. Bus | | X | Supplier pipes and appendages for tanks and tank installations | TSE / TCT |
| B. van Dalen * ¹ | X | X | Certification body | Kiwa |
| P. Dekker | X | X | Association of Tank installation companies | Mokobouw |
| M. Houtzager | X | | Manufacturer tanks | Altermij de Gouwe |
| J. Jacobi | X | | Leverancier tankinstallaties / controlebedrijf niet-stationaire opslagen afleverinstallaties | Jacobi Tanks |
| A. Mulder | X | X | Manufacturer tanks en appendages | TAB de Blesse |
| J. Peters * ² | X | X | Certification body | Kiwa |
| J. Riepe | X | | Manufacturer tanks | GPI |
| E. Sterken | X | | Manufacturer tanks | A. Leering |
| S. Tuinhof | | X | Supplier tanks / inspection company non-stationary storage tank installations | TTS |
| H. Tolsma | X | | Manufacturer tanks, tank installations and appendages / inspection company non-stationary storage tank installations | Tolsma Tankbouw |
| J. Tolsma | | X | Manufacturer tanks, tank installations and appendages / inspection company non-stationary storage tank installations | Tolsma Tankbouw |
| E. Vervelde | | X | Manufacturer tanks | Robex |
| M. Zwartveld | | X | Service and maintenance of pumps and dispenser sumps | Fuelsys |

(*1) Chairman committee and working group

(*2) Secretary committee and working group

This evaluation guideline is prepared by Kiwa.

Contents

| | | |
|----------|--|-----------|
| 1 | Introduction | 7 |
| 1.1 | General | 7 |
| 1.2 | Scope | 7 |
| 1.3 | Acceptance of test reports provided by the supplier | 8 |
| 1.4 | Quality declaration | 8 |
| 1.5 | Declaration of conformity tank | 8 |
| 1.6 | CE marking | 8 |
| 2 | Terms and definitions | 9 |
| 2.1 | Terms | 9 |
| 2.2 | Definitions | 9 |
| 3 | Procedure for granting a product certificate | 11 |
| 3.1 | Initial assessment | 11 |
| 3.2 | Granting the product certificate | 11 |
| 3.3 | Investigation into the product requirements | 11 |
| 3.4 | Production process assessment | 11 |
| 3.5 | Contract assessment | 11 |
| 4 | Product requirements | 12 |
| 4.1 | Design | 12 |
| 4.2 | Design and dimensions of the steel container tank | 12 |
| 4.3 | Manholes | 13 |
| 4.4 | Lifting lugs | 15 |
| 4.5 | Tank supports | 15 |
| 4.6 | Reinforcements | 15 |
| 4.7 | Construction of the connections | 15 |
| 4.8 | Interstitial space / leak detection | 15 |
| 4.9 | Filling connection, fill pipe, overflow protection device and provision against spillage caused during filling | 16 |
| 4.10 | Construction of the second containment / container | 16 |
| 4.11 | Compartments | 16 |
| 4.12 | Pump dispenser | 16 |
| 4.13 | Material | 16 |
| 4.14 | Dimensional tolerances | 17 |
| 4.15 | Fabrication of the container tank | 17 |
| 4.15.1 | Bending and setting of the sheet material | 17 |
| 4.15.2 | Carbon steel contamination of high-alloy steel | 17 |
| 4.15.3 | Preparation of weld seams | 17 |
| 4.15.4 | Welding procedure specification (WPS) and welding procedure qualification (WPQ) | 17 |
| 4.15.5 | Welder qualifications | 18 |
| 4.16 | Inspection of welds | 18 |
| 4.16.1 | Visual inspection of welds | 18 |

| | | |
|----------|--|-----------|
| 4.16.2 | Radiographic testing | 19 |
| 4.16.3 | Magnetic particle testing | 19 |
| 4.16.4 | Dye penetrant testing | 19 |
| 4.16.5 | Frequency of radiographic, magnetic particle and dye penetrant testing | 20 |
| 4.17 | Testing | 20 |
| 4.17.1 | Testing of the container tank for leak tightness | 20 |
| 4.17.2 | Testing of the interstitial space for leak tightness | 21 |
| 4.17.3 | Liquid-tightness of the second containment | 22 |
| 4.17.4 | Test for leak tightness of (welded) suction pipes | 22 |
| 4.18 | Protection against corrosion | 22 |
| 4.18.1 | External protection using a paint system | 22 |
| 4.18.2 | Corrosion protection using hot-dip galvanizing | 22 |
| 4.19 | Internal corrosion protection | 23 |
| 4.20 | Identification | 23 |
| 4.21 | User instructions | 23 |
| 4.22 | Transport, handling, aftercare | 24 |
| 4.23 | Installation work | 24 |
| 5 | Marking | 25 |
| 5.1 | General | 25 |
| 5.2 | Certification mark | 25 |
| 6 | Quality system requirements | 26 |
| 6.1 | Manager of the quality system | 26 |
| 6.2 | Internal quality control/quality plan | 26 |
| 6.3 | Procedures and working instructions | 26 |
| 6.4 | Registration / checklist | 26 |
| 6.5 | Management of test and measuring equipment | 27 |
| 6.6 | Other requirements for the quality system | 27 |
| 7 | Summary of tests and inspections | 28 |
| 7.1 | Test matrix | 28 |
| 7.2 | Inspection of the quality system of the supplier | 30 |
| 8 | Agreements on the implementation of certification | 31 |
| 8.1 | General | 31 |
| 8.2 | Certification staff | 31 |
| 8.2.1 | Qualification requirements | 31 |
| 8.2.2 | Qualification | 32 |
| 8.3 | Report initial investigation | 32 |
| 8.4 | Decision for granting the certificate | 32 |
| 8.5 | Layout of quality declaration | 32 |
| 8.6 | Nature and frequency of third party audits | 32 |
| 8.7 | Non conformities | 33 |
| 8.8 | Report to the Board of Experts | 33 |
| 8.9 | Interpretation of requirements | 33 |
| 8.10 | Specific rules set by the Board of Experts | 33 |
| 9 | List of referenced documents | 34 |
| 9.1 | Standards / normative documents | 34 |

| | | |
|------------------|--|-----------|
| Annex I | Model product certificate | 37 |
| Annex II | Model declaration of conformity | 39 |
| Annex III | Container tank construction | 40 |
| Annex IV | IQC scheme (Example) | 41 |
| IV.1. | IQC scheme | 41 |
| IV.2. | Checklist | 41 |
| IV.3. | Quality system | 42 |

1 Introduction

1.1 General

The requirements included in this Evaluation Guideline shall be used by Kiwa when processing an application and maintaining a product certificate for "Container tanks".

This Evaluation Guideline pertains to the production of:

- steel container tanks for the stationary aboveground atmospheric storage of liquids up to a maximum capacity of 50 m³.

When performing the certification activities in relation to this Evaluation Guideline Kiwa shall use the requirements stipulated in NEN-EN-ISO/IEC 17065.

1.2 Scope

The products (container tanks) are intended for use for stationary, atmospheric storage and dispensing of fluids.

The stored liquids are liquid fuels and/or mineral oil products with a flash point higher than or equal to 55 °C.

The classification of liquid fuels and / or mineral oil products is in line with the PGS classes.

| PGS Class | Flash point | Examples |
|-------------|----------------------------|--|
| PGS Class 3 | 55°C ≤ flash point ≤ 100°C | Waste oil ⁽¹⁾ , diesel, domestic fuel oil, gas oil, biodiesel |
| PGS Class 4 | Flash point > 100°C | Fuel oil, lubricating oil, brake fluid, coolant, glycol, PPO, hydraulic oils |

⁽¹⁾ When waste oil meets the EURAL requirements, it is considered a PGS Class 3 product.

Table paragraph 1.2: Classification according to PGS Class

The storage part of a container tank can be single-walled or double-walled. If it is single walled, it shall be placed in a second containment, the volume of which is at least equal to the storage capacity of the storage tank. It is possible to compartmentalize the storage tank.

The scope includes:

- Stationary aboveground, pressure less (atmospheric) storage;
- Non-cylindrical tanks;
- Tanks made of steel or high-alloyed steel;
- Minimum capacity 5 m³ (5.000 litres);
- Maximum capacity 50 m³ (50.000 litres);
- Single or double-walled tanks (single-walled in a second containment);
- Suitable for ambient temperature (-20 to +50 °C);
- Storage of liquids in compartments.

The scope does not cover:

- Tanks with a design pressure greater than 0,5 bar(g);
- Process tanks;
- Underground tank installation.

Container tanks according to this Evaluation Guideline are not suitable for transportation unless they have been cleaned internally.

A container tank is usually equipped with installation parts for filling and dispensing fluids as well as provisions against leakage. The tank installation as well as the final inspection of the tank installation and safety devices shall be carried out by a tank installation company certified in accordance with BRL SIKB 7800 "Tank installations" / BRL-K903 "Regulation for the Recognition of Installers for the Tank Installation".

Container tanks according to this Evaluation Guideline are in line with the requirements for tank installations as specified in BRL SIKB 7800 / BRL-K903. The tank installation (tank, pipes, protection devices, etc.) installed in accordance with the requirements of BRL SIKB 7800 / BRL-K903 will result in a negligible environmental risk.

1.3 Acceptance of test reports provided by the supplier

If the supplier provides reports from test institutions or laboratories to prove that the products meet the requirements of this Evaluation Guideline, the supplier shall prove that these reports have been drawn up by an institution that complies with the applicable accreditation standards, namely:

- NEN-EN-ISO/IEC 17020 for inspection bodies;
- NEN-EN-ISO/IEC 17021-1 for certification bodies certifying systems;
- NEN-EN-ISO/IEC 17024 for certification bodies certifying persons;
- NEN-EN-ISO/IEC 17025 for laboratories;
- NEN-EN-ISO/IEC 17065 for certification bodies certifying products.

Remark: This requirement is fulfilled when a certificate of accreditation can be shown, issued either by the Board of Accreditation (RvA) or by one of the institutions with which an agreement of mutual acceptance has been concluded by the RvA.

The accreditation shall refer to the examinations as required in this Evaluation Guideline. When no certificate of accreditation can be shown, Kiwa shall verify whether the requirements of the accreditation standard are fulfilled.

1.4 Quality declaration

The quality declaration to be issued by Kiwa is described as a Kiwa product certificate.

A model of the certificate to be issued based on this Evaluation Guideline has been included for information as Annex I.

1.5 Declaration of conformity tank

An example of the declaration of conformity tank to be issued on the basis of this Evaluation Guideline is included in Annex II. If necessary, Kiwa can revise this declaration of conformity tank.

1.6 CE marking

CE marking cannot be affixed to products manufactured in accordance with this Evaluation Guideline, since there is no harmonized European standard for this product available.

Remark: Components of the container tank can be affixed with CE marking such as the low-voltage directive for the electrical equipment and machine directive for the pumps.

2 Terms and definitions

In this Evaluation Guideline, the following terms and definitions apply:

2.1 Terms

In this Evaluation Guideline, the following terms apply:

- **Certificate holder:** The certificate holder is the supplier of the certified product, being the legal entity that enters into the certification agreement with the certification body.
- **Certification mark:** A protected trademark, which the supplier, whose products are deemed to meet the applicable requirements upon delivery, has been authorized to use by Kiwa.
- **Certification requirements:** Combination of functional, product and process requirements, with which it can be demonstrated that the product complies.
- **Declaration of conformity tank:** A document in which the supplier / tank manufacturer declares that the container tank has been constructed in accordance with the regulations as laid down in this Evaluation Guideline.
- **Evaluation guideline (BRL):** The agreements made by the Board of Experts on the subject of certification.
- **Functional requirement:** Requirement to demonstrate that it is functionally possible by means of a calculation method specified in the evaluation guideline.
- **Initial assessment:** The initial assessment of the supplier and the investigation of the products in question in order to ascertain that all the requirements of this Evaluation Guideline are met.
Remark: The test matrix summarizes the requirements that are part of the initial assessment.
- **Internal Quality Control scheme (IQC scheme):** A description of the quality inspections carried out by the supplier, as part of his quality system.
- **Manufacturer:** The manufacturer who manufactures the products. He can also be the supplier.
- **Process requirements:** Established method or procedure with which the intended quality is achieved.
- **Product:** A single or a composite product, or the output of a process or service.
- **Product certificate:** A document, in which the certification body declares that a product may on delivery be deemed to comply with the product specification recorded in the product certificate.
- **Product requirements:** Requirements made specific by means of measures or figures, focussing on (identifiable) characteristics of products and containing a limiting value to be achieved, which can be calculated or measured in an unequivocal manner.
- **Quality system:** The established organizational structure, responsibilities, procedures, processes and facilities that are required for implementing quality assurance.
- **Supplier:** The party responsible for ensuring that products and processes continuously meet the requirements on which the certification is based.
Remark: a supplier does not have to manufacture the product himself. He can use a manufacturer for this purpose.
- **Surveillance assessment:** The assessment that is carried out after the certificate has been granted in order to ascertain that the certified products or processes continue to meet the requirements stipulated in this Evaluation Guideline.
Remark: The test matrix summarizes the requirements that are part of the assessment.
- **Declaration of conformity tank:** A document in which the supplier / tank manufacturer declares that the container tank has been constructed in accordance with the regulations as laid down in this Evaluation Guideline.

2.2 Definitions

In this Evaluation Guideline, the following definitions apply:

- **Filling connection:** The (pipe) connection fitted to the tank, from which the filling point is connected.
- **Filling point:** Where the connection between tanker and tank installation is made in order to fill the tank.
- **High-alloyed steels:** For high-alloyed steels, the alloying element has a content of at least 5% or the total of the alloys is at least 10%; however, the iron content shall be more than 50%.
- **Leak detection medium:** A medium with the property of being able to give an indication of whether a leak is present.
- **Liquid fuel:** Light oil, medium oil or gas oil intended for energy conversion to power or heating/cooling.
- **Liquid tight:** The condition where a liquid has not reached the side of a tank container or second containment that is not directly in contact with the liquid.

- **Maximum capacity:** Maximum volume of the content of the tank. The maximum capacity is always more than the nominal volume. This is not to be confused with the maximum filling or maximum filling level.
- **Maximum filling:** The maximum filling level of the tank, stated as a percentage of the nominal volume.
- **Nominal volume:** The capacity of the tank specified by the supplier and is the calculated capacity of the tank (storage). This does not include the contents of the manhole.
- **Nominal wall thickness:** Numeric designation of the wall thickness of a component, which is designed to meet the dimensions produced.
- **Relative density:** Also referred to as specific weight or specific density. Quantity that expresses how much mass of a liquid is present in a certain volume. Expressed in kg/l in this Evaluation Guideline.
- **Second containment (spill container):** The provision for the storage tank(s) that retains its shape and function as a second containment for its designed life as a container for the stored liquids.
- **Soap test:** Technique in which a tank or the interstitial space is checked for leaks with a water/soap solution. The water/soap solution will foam or exhibit air bubbles in the event of a leak.
- **Stationary storage of liquids:** Tank installation which is permanently installed on site.
- **Structural steel:** Steel that has been formed into various forms, such as beams, rods or plates, and is used for load-bearing structural elements. These steels are indicated with an "S".
- **Tank (reservoir):** Liquid storage location or component where the liquid is stored.
- **Tank installation:** Assembly of tanks, pipes, appendages, fittings and appliances.
- **Total length:** length of the container including second containment and other permanently connected parts.
- **Viscosity:** Viscosity of a liquid is a physical material property which is a measure of its resistance to deformation at a given rate.

3 Procedure for granting a product certificate

3.1 Initial assessment

The initial assessment to be performed is based on the (product) requirements as contained in this Evaluation Guideline, including the test methods, and comprises the following:

- type testing to determine whether the products comply with the product and/or functional requirements;
- production process assessment;
- assessment of the quality system and the IQC-scheme;
- assessment on the presence and functioning of the remaining procedures.

3.2 Granting the product certificate

After finishing the initial investigation, the results are presented to the Decision maker (see § 8.2) deciding on granting the certificate. This person evaluates the results and decides whether the certificate can be granted or if additional data and/or tests are necessary.

3.3 Investigation into the product requirements

The certification body will investigate the to be certified products against the certification requirements as stated in the certification requirements.

3.4 Production process assessment

When assessing the production process, it is investigated whether the manufacturer is able to continuously produce products that meet the certification requirements. The evaluation of the production process takes place during the ongoing work at the manufacturer. This evaluation includes at least:

- Assessment of the design;
- The suitability of the materials purchased;
- The manufacturing along with the relevant processes required (for example welding, coating application);
- Qualification of the employees;
- Checks during the production process (e.g. inspection of welds);
- Final inspection (e.g. testing for leak tightness of the container tank, liquid tightness of the second containment);
- Internal transport and storage;
- Effectiveness of the quality system;
- Calibration status of the measuring equipment used;
- Identification.

3.5 Contract assessment

When the supplier uses production location(s) for the products to be certified, the certification body will assess the agreement between the supplier and the producer.

This written agreement, which shall be made available to the certification body, includes at least: That accreditation bodies, scheme managers and the certification body will be given the opportunity to observe the certification activities carried out by the certification body or on behalf of the certification body at the manufacturer (production location).

4 Product requirements

This chapter contains the product requirements and test methods for steel container tanks of maximum 50 m³ for the stationary aboveground atmospheric storage of combustible liquids.

4.1 Design

The design of the container tank shall be documented. The design shall meet the requirements stated in this Evaluation Guideline.

The design shall be documented in a design drawing.

A calculation showing that the design is suitable for the following principles and loads shall be made:

Remark: The calculation may be carried out using the finite element method or an equivalent method.

- The mechanical properties of the material used, minimum S235JR.
- The relative density of the fluid to be stored.
Remark: A minimum of 1.0 kg/l shall be used for this calculation.
- It shall be possible to completely fill the inner tank with water.
- The design temperature range is from, -20 to +50°C.
- A test pressure of 30 kPa (0.3 bar(g)) for the inner tank.
- If present, a test pressure of 40 kPa (0.4 bar(g)) for the interstitial space, taking into account the external load that the pressure in the interstitial space exerts on the inner tank.
Remark: When testing for leaks, a procedure may be required for the build-up of the test pressure. In this case a difference of 10 kPa between the pressure of the inner tank and the interstitial space shall always be taken into account.
- Wind load in accordance with NEN-EN 1991-1-4 (Eurocode 1). Minimum wind velocity is 27 m/s.
- Snow load in accordance with NEN-EN 1991-1-3 (Eurocode 1). Minimum snow load is 70 kg/m².
- Earthquakes in accordance with NEN-EN 1998-4 (Eurocode 8).
- Loading caused by any other constructions on or on container tanks, if present.
- Load caused by lifting the container tank.
- Connection techniques (welding factor).
- Corrosion tolerance.

Reinforcements may be part of the tank.

The drawing approved for construction by the supplier / tank manufacturer shall be made available for the certification body.

4.2 Design and dimensions of the steel container tank

Manufacture (drawing)

In order to make optimum use of the available space, the storage part of the container tank is not cylindrical.

If required for the strength of the structure, curved walls can be used. The bottom plate must have a slope for drainage purposes.

A reference drawing showing the construction of a container tank is included in Annex III of this Evaluation Guideline.

Tank capacity

The minimum nominal capacity of the tank is 5 m³ (5,000 litres). The maximum nominal capacity of the tank is 50 m³ (50,000 litres). A tolerance of -0 / + 5% shall apply to the nominal capacity stated by the supplier.

Length - width - height of the container tank

There are no restrictions on the length, width or height of the container tank.

Wall thickness

The nominal wall thickness is determined by the design. The minimum wall thickness is 3 mm. A minimum wall thickness of 6 mm applies to the manhole neck. The nominal wall thickness of the second containment, the walls of the container, and outer skin shall be at least 3 mm.

Provision for spillage

The storage part of the container tank shall be double-walled or placed in a second containment. If double-walled, the interstitial space (outer skin) shall be fitted to at least a height of 95% of the nominal volume. The interstitial space shall consist of one continuous area (compartmentalization of the interstitial space is not permitted).

If provided with a second containment, then the nominal volume of the second containment shall at least be equal to the nominal volume of the tank. The nominal volume of the second containment is the free space available in the second containment, which is available to receive the fluid from the tank in the event of leakage.

Compartment tank

A container tank can be compartmentalized. The minimum size of the compartment depends on the space required for the manhole and the connections. Each compartment has a sloped bottom and a fluid level indicator pipe that is installed at the lowest point of the compartment. The sum of the volume of the compartments is smaller than or equal to the maximum capacity of the container tank (50 m³).

Connections

All connections are above the highest liquid level in the container tank.

Container tanks or tank compartments are generally provided with the following connections:

- **Filling line.** The nominal diameter of the filling line is at least DN50. The filling line connection is suitable for filling the tank with a fixed connection. The filling line connection is suitable for the installation of an overflow prevention device that is certified according to the requirements of BRL-K636. To prevent static electricity during filling, the filling line connection is preferably provided with an inner pipe. The end of any inner pipe installed shall have a distance of at least ¼ of the pipe diameter from the bottom of the tank.
- **Vent / aeration.** The nominal diameter of the vent is determined by the diameter of the filling line. The nominal diameter of the aeration connection is determined by the diameter of the suction line and the number of suction lines that can be used simultaneously. In general, the vent is half the diameter of the filling line connection, with a minimum of DN40.
- **Fluid level indicator.** The nominal diameter of the fluid level indicator connection is at least DN40. The fluid level indicator connection is installed at the lowest point of the tank or compartment. The internal pipe of the fluid level indicator connection shall be provided with a 3 mm pressure equalization hole, fitted as high as possible in the inner pipe near the tank wall. The monitoring line must reach 20 mm lower in the tank than the suction line. The monitoring line must be at least ¼ of the pipe diameter from the bottom of the tank or, if present, at the same height as a larger inner line of the filling line.
- **Suction connection / suction pipe.** The maximum diameter of the suction line is DN50. The internal suction pipe must be demonstrably leakproof.

Other connections as specified by the user shall be in accordance with the requirements in the BRL SIKB 7800 / BRL-K903.

Connections below the highest liquid level are not permitted.

Pump dispenser

Container tanks can be provided with a pump dispenser. The complete tank installation shall be in accordance with the requirements of BRL SIKB 7800 / BRL-K903.

Remark: As stated in BRL SIKB 7800 / BRL-K903, the pump is excluded.

4.3 Manholes

A container tank or each compartment of a container tank shall be provided with at least one manhole opening.

A manhole opening is always provided on the top of the tank. A manhole in the side of the tank is possible based on specific wishes of the client, for example insufficient space at the top of the container tank. The requirements below apply for a manhole in the side of the tank:

- The tank is double walled. The manhole in the side of the tank is also double walled.
- A cylindrical manhole in the outer tank must at least have a diameter of 200 mm bigger than the diameter of the manhole in inner tank. The manhole in outer tank is in accordance with the general dimensions for cylindrical manholes and their components.
- The side of a rectangular manhole shall be 50 mm more than the sides of the manhole flange in the inner tank. The manhole in the outer tank is in accordance with the general dimensions for rectangular manholes and their components.
- The manhole cover of the manhole in the outer tank is provided with a "davit" or hinge.

- A provision is made at the manhole cover of the inner tank to connect to a “davit”, hinge or other lifting device.
- The leak detection system to use must be in accordance with BRL-K910 / EN 13160 class 1.

Tanks or compartments longer than 10 meters shall have two manhole openings. For effective ventilation of the tank or compartment, it is recommended that the manhole openings are spaced as far apart as possible. The manhole opening shall be easily accessible for an internal inspection of the tank. If the tank is placed in a container, the manhole opening shall be accessible for the safe entry of the tank for internal inspections.

A manhole opening may be cylindrical or rectangular.

Cylindrical manholes

The internal diameter of a cylindrical manhole shall be at least 600 mm.

See figure paragraph 4.3 for the implementation of a cylindrical manhole (set-through version).

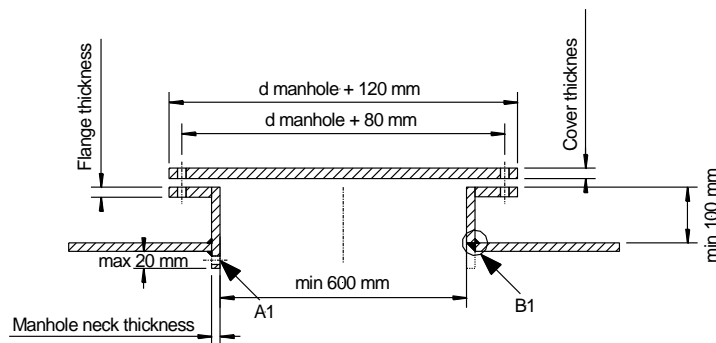


Figure paragraph 4.3: Execution of a set through manhole (indicative)

The general dimensions of cylindrical manholes and the associated components shall at least meet the following requirements.

| Inside diameter of manhole (mm) | Manhole neck thickness (mm) | Diameter of bolt holes (mm) | Thread | No. of bolts | Flange and cover thickness (mm) |
|---------------------------------|-----------------------------|-----------------------------|--------|--------------|---------------------------------|
| 600 | 6 | 18 | M16 | 32 | 16 |
| 700 | 7 | | | 36 | 18 |
| 800 | 7 | | | 44 | 20 |
| 1000 | 7 | | | 48 | 20 |

The thicknesses stated are after construction.

Table 4.3: General dimensions of cylindrical manholes and associated components

Rectangular manholes

The surface area of the manhole opening for a rectangular manhole shall at least be equal to the surface area of a cylindrical manhole opening with an internal diameter of 600 mm. The smallest side of this rectangle shall not be smaller than 400 mm.

The manhole neck thickness for a rectangular manhole is at least 6 mm. The thickness of the flange and lid shall at least be equal to the wall thickness of the tank. Bolts with an M16 thread shall be used to connect the manhole cover.

Other requirements for manholes

The manhole neck may extend to a maximum of 20 mm inside the container tank. Manholes where the neck extends to more than 20 mm inside the tank shall be provided with a hole of at least 10 mm at the highest point in order to guarantee the free movement of vapours.

The manhole gasket shall be easy to open. The manhole cover shall be bolted on.

The sealing surfaces of flanges and covers of manhole and inspection openings shall be sufficiently flat after the manufacture of the container tank. During assembly, the gasket surfaces of the flanges must fit well together when the flange bolts are normally tightened. The seal of the manhole and / or inspection opening shall be "leak tight" during the leak tightness test as indicated in § 4.17.1 of this Evaluation Guideline.

The gasket shall be free of asbestos, of one-piece and without inserts and fully resistant to the stored liquid. The resistance to the stored liquid must be demonstrated and documented by the supplier / tank manufacturer.

4.4 Lifting lugs

Container tanks shall be provided with at least 4 lifting lugs. The lifting lugs shall be located at the top on each corners of the container tank.

The lifting lugs shall be designed to enable the hoisting of an empty tank without causing any permanent deformations or damage to the container tank.

A lifting instruction shall be included in the user instructions.

4.5 Tank supports

Each container tank shall be equipped with effective tank supports. The supports shall be able to carry the weight of a full container tank and shall be able to withstand all the static and dynamic loads that may occur.

The supplier / tank manufacturer shall be able to submit a strength calculation to the certification body for evaluation purposes.

The supports shall be welded to the container tank.

4.6 Reinforcements

Reinforcements may be part of the container tank.

Reinforcements mounted inside the container tank shall not adversely affect the slope of the tank.

Internal reinforcements shall not obstruct the flow of liquid on the bottom of the container tank nor the flow of vapours on the top of the container tank.

The entire tank must remain visible or accessible for inspection and maintenance purposes.

4.7 Construction of the connections

The connections shall be constructed as follows:

- Connections with an external thread shall protrude at least 30 mm from the tank wall and / or manhole cover.
- Screw connections shall be permanently leak-tight.
- Pipe material in which threads are cut shall have a sufficient thickness in order to prevent deformation and / or leakage of the connections after the threads have been cut.
- Welded connections are allowed.
- The connections shall be in accordance with NEN-EN 12285-2 Method 5 or 6 of Table 8.
- The connections on cylindrical tanks shall preferably be made in the longitudinal direction of the container tank and be located at the highest point. Deviation from this requirement is not allowed for the liquid level indicator and vent connections of the container tank.
- The distance between two connections shall be such that there is sufficient space available to mount the pipework.
- The minimum distance between 2 welded connections is 25 mm.
- The following standards apply to the connections on the tank:
 - Sealing pipe thread in accordance with ISO 7-1;
 - Threaded steel pipes and sockets in accordance with NEN-EN 10241;
 - Seamless steel sockets in accordance with NEN-EN 10242.
- The fill connection and fluid level indicator connections are provided with a cap that will give an airtight seal when closed manually. The gasket shall be resistant to the stored fluid.

4.8 Interstitial space / leak detection

The interstitial space shall be designed to withstand a pressure of 40 kPa (0.4 bar (g)) and a vacuum.

The interstitial space (outer skin) is installed such that it covers at least 95% of the nominal volume of the container tank. The interstitial space shall form one continuous space (compartmentalization of the interstitial space is not permitted).

The interstitial space is provided with at least two DN 25 connections which are provided with an internal thread in accordance with ISO 7-1. The connections shall be at the highest point.

Container tanks must be equipped with a vacuum leak detection system that complies with BRL-K910. Installation of the leak detection system shall be carried out by an installation company certified in accordance with BRL SIKB 7800 / BRL-K903.

To prevent corrosion due to condensation in the interstitial space, it must be put under vacuum immediately after it has been constructed.

4.9 Filling connection, fill pipe, overflow protection device and provision against spillage caused during filling

The filling connection of the container tank shall be easily accessible and shall be equipped with a provision to prevent spillage caused during filling. This provision shall be in accordance with the requirements of BRL-K748. The container tank is equipped with an overflow protection device in accordance with BRL-K636.

Installation of the fill pipe, the overflow protection device and the provision against spillage caused during filling shall be carried out by an installation company certified in accordance with BRL SIKB 7800 / BRL-K903.

4.10 Construction of the second containment / container

The nominal capacity of the second containment or container shall be at least equal to the nominal volume of the container tank.

Comment: The second containment can also be part of the container in which the container tank is installed.

The second containment shall be designed such that no permanent deformation occurs when it is completely filled with water. In case the second containment is part of the container, then the container shall be designed such that no permanent deformation occurs when it is completely filled with water. A calculation showing the strength of the second containment and / or container shall be available.

The second containment shall not be provided with a drain.

The second containment shall be protected from rainwater collecting in the second containment.

The entire construction of the second containment or container shall be such that it is possible to inspect the entire container tank externally and to remove it from the second containment if necessary.

4.11 Compartments

The storage part of the container tank may be divided into compartments.

The compartment disc or plate is fully welded on both sides. The wall thickness of the compartment disc or plate shall at least be equal to the wall thickness of the tank walls.

The welds of each compartment disc or plate shall be dye penetrant tested as described in § 4.16.4 of this Evaluation Guideline.

4.12 Pump dispenser

A container tank may be provided with a pump dispenser.

If a pump dispenser is provided, then the suction pipe shall include the following:

- a shut-off valve installed at the highest point and as close as possible to the container tank, and
- an anti-siphon protection device in accordance with the requirements of BRL-K916.

Installation of the pump dispenser shall be carried out by an installation company certified in accordance with BRL SIKB 7800 / BRL-K903.

4.13 Material

The carbon steel of the tank and second containment (and parts of the container that form a part of the container tank or second containment), as well as the manhole opening, the construction of the manhole, lifting lugs, and the tank support shall as a minimum comply with NEN-EN 10025-2 Type S235JR.

If high-alloy steel is used for the above parts, this steel shall at least comply with 1.4307 (304 L) according to NEN-EN 10028-1 to -7 or NEN-EN 10088-1 to -3.

If carbon steel is used, then the inspection documents supplied shall at least be in accordance with NEN-EN 10204:2004 article 3.2 (test report "Type 2.2").

If high-alloy steel is used, then the inspection documents supplied shall at least be in accordance with NEN-EN 10204:2004 article 4.1 (inspection certificate "Type 3.1").

The material used must be resistant to the stored liquid.

Material of the connections and pipes

The material of the connections, and any internal pipes provided, shall be resistant to the stored liquid. Except for the cap and counter flange (ring) of the fluid level indicator and filling line, the material of the connections must not be able to form a galvanic element with the material of the tank. The inner pipes, insofar as they are firmly welded, to the container tank shall be made of steel. The steel shall at least be in accordance with S235JR. The inner pipes must not cause galvanic corrosion within the tank. If the tank is made of another material, for example stainless steel, then the inner pipes must also be made of this material.

4.14 Dimensional tolerances

Wall thickness

The minimum wall thickness of the container tank and second containment (and parts of the container that are part of the container tank or second containment), as well as the manhole opening, the construction of the manhole, lifting lugs, and the tank support after fabrication shall not be lower than -10% of the nominal wall thickness.

4.15 Fabrication of the container tank

During the fabrication of the container tank, the following requirements pertaining to the processes used, qualification of personnel and the associated inspection shall apply.

4.15.1 Bending and setting of the sheet material

Bending and setting of the sheet material shall be as far as possible perpendicular to the rolled direction.

Remark: NEN-EN 10025-2 provides instructions on the bending of sheet material.

4.15.2 Carbon steel contamination of high-alloy steel

When manufacturing container tanks from high alloy steel care shall be taken to avoid any pollution caused by carbon steel particles.

If the surface of the sheet material has not been damaged or contaminated with carbon steel particles, then it is sufficient to pickle the weld seams only. After pickling and completely removing the oxide layer / impurities, the high-alloyed steel must be passivated.

If the machines and tools used for production are also used for the manufacture of carbon steel products, then the high-alloyed steel container tank shall on completion be both pickled and passivated both internally and externally.

The procedure for pickling and passivating must be documented in a procedure.

4.15.3 Preparation of weld seams

The weld seam preparation shall be in accordance with the welding procedure specification.

4.15.4 Welding procedure specification (WPS) and welding procedure qualification (WPQ)

The manufacturer of the container tank shall demonstrably have approved welding procedures for all welds that are used for the production of the container tanks.

Welding procedure specification

The welding procedure specification must comply with:

- NEN-EN-ISO 15609-1 "Specification and qualification of welding procedures for metallic materials - Welding procedure specification - Part 1: Arc welding";

- NEN-EN-ISO 15609-2 "Specification and qualification of welding procedures for metallic materials - Welding procedure specification - Part 2: Gas welding";
- NEN-EN-ISO 15609-3 "Specification and qualification of welding procedures for metallic materials - Welding procedures specification - Part 3: Electron beam welding";
- NEN-EN-ISO 15609-4 "Specification and qualification of welding procedures for metallic materials - Welding procedure specification - Part 4: Laser beam welding".

Remark: Welding procedure specifications prior to 2004 do not meet the above requirements. NEN-EN-ISO 15609 has replaced NEN-EN 288. It is possible that NEN-EN 288 welding procedure specifications are rewritten in accordance with NEN-EN-ISO 15609, but this is only possible if all the relevant parameters of the original WPS are well documented. The tank manufacturer shall have to demonstrate this. In all other cases the welding procedure specification shall have to be rewritten and tested again.

The manufacturer of the container tanks must maintain a documented system in which the welding procedure specification can be traced to the welding procedure qualification.

Welding procedure qualification

The welding procedures must be qualified according to the following standards:

- NEN-EN-ISO 15607 "Specification and qualification of welding procedures for metallic materials - General rules";
- NEN-EN-ISO 15614-1 "Specification and qualification of welding procedures for metallic materials - Welding procedure test - Part 1: Arc and gas welding of steels and arc welding of nickel and nickel alloys".

The welding procedure qualification shall be assessed by an independent body, selected by the manufacturer of the container tank and accepted by the certification body.

4.15.5 Welder qualifications

The qualifications of welders and operators of welding machines shall meet:

- NEN-EN-ISO 9606-1 "Qualification testing of welders - Fusion welding - Part 1: Steels";
- NEN-EN-ISO 14732 "Welding personnel - Qualification testing of welding operators and weld setters for mechanized and automatic welding of metallic materials".

The initial qualification of a welder or operator of welding machines shall be issued by an independent body, selected by the manufacturer of the container tank and accepted by the certification body.

An extension of the welding qualification shall be issued by an independent body, selected by the manufacturer of the container tank and accepted by the certification body.

Every 6 months the manufacturer of the container tank will document that the welder or operator of a welding machine is still working within the scope of the welding qualification.

The manufacturer of the container tank shall have a documented system in which welders' qualifications are managed and maintained. The issue, the extension and the confirmation of the welder qualifications shall be documented.

4.16 Inspection of welds

After completion, the welds of the container tank and second containment (and those parts of the container that are part of the container tank or second containment), as well as the manhole opening, the construction of the manhole, the lifting lugs and the tank supports shall be visually assessed.

The welds of the container tank shall be assessed by means of a radiographic, magnetic particle or dye penetrant testing in accordance with the applicable frequency as stated in § 4.16.5 of this Evaluation Guideline.

Remark: Radiographic testing applies to cylindrical tanks, Magnetic particle testing (or dye penetrant testing) applies to non-cylindrical tanks.

4.16.1 Visual inspection of welds

The welds of each container tank shall be visually inspected.

The welds of the tank, second containment, tank supports and lifting lugs shall at least meet the requirements of NEN-EN-ISO 5817 quality level D.

If during a visual inspection it is determined that a weld may not meet the required standard, it must be assessed and remeasured in accordance with NEN-EN-ISO 6520-1 and NEN-EN-ISO 5817 and repaired if necessary. The repair shall be visually re-inspected.

4.16.2 Radiographic testing

The butt welds of a container tank (tank section) shall be inspected by means of a radiographic testing.

The radiographic testing shall be performed in accordance with the following standards:

- NEN-EN-ISO 17636-1 “Non-destructive testing of welds - Radiographic testing - Part 1: X- and gamma-ray techniques with film”;
- NEN-EN-ISO 10675-1 “Non-destructive testing of welds - Acceptance levels for radiographic testing - Part 1: Steel, nickel, titanium and their alloys”.

The radiographic testing shall be performed in accordance with NEN-EN-ISO 17636-1 Class B. A radiographic test on a cylindrical tank consists of two X-rays. A film on which the longitudinal seam is photographed at the location of an intersection and a film on which the circumference seam is photographed at the location of an intersection.

The examined welds shall at least comply with NEN-EN-ISO 10675 Class 3 (corresponds to NEN-EN-ISO 5817 Level D).

The radiographic testing shall be carried out by a person who is demonstrably qualified for this work, for example RT level 1 or RT level 2 or equivalent. The assessment of a radiographic testing shall be performed by a person who is demonstrably qualified for this work, for example RT level 3 or IWE or equivalent. The assessment is not carried out by a person who was directly involved in the welding of the container tank.

The radiographic testing may also be carried out by an external inspection agency that has been selected by the manufacturer of the container tank and accepted by the certification body.

A report of the radiographic examination that is traceable to the container tank under investigation shall be made available.

4.16.3 Magnetic particle testing

Corner welds of the container tanks (tank sections) shall be subjected to sampling inspection using the magnetic particle method.

The following standards apply to magnetic particle testing:

- NEN-EN-ISO 17638 “Non-destructive testing of welds - Magnetic particle testing”;
- NEN-EN-ISO 23278 “Non-destructive testing of welds - Magnetic particle testing - Acceptance levels”.

The magnetic particle testing shall be carried out in accordance with NEN-EN-ISO 17638. A magnetic particle test of a container tank shall comprise 10% of the corner welds.

The welds inspected shall at least comply with NEN-EN-ISO 23278 Class 3X (corresponds to NEN-EN-ISO 5817 Level D).

Magnetic particle testing shall be carried out by a person who is demonstrably qualified for this work, for example MT level 1 or equivalent. The assessment of a magnetic examination must be carried out by a person who is demonstrably qualified for this work, for example MT level 2, IWE or equivalent. The assessment shall not be carried out by a person who was directly involved in the welding of the container tank.

The magnetic particle testing may also be carried out by an external inspection agency, that has been selected by the manufacturer of the container tank and accepted by the certification body.

A report of the magnetic particle examination that is traceable to the container tank under investigation shall be made available.

4.16.4 Dye penetrant testing

The welds of a compartment section shall be inspected by means of liquid penetrant testing.

The following standard applies to dye penetrant testing:

- NEN-EN-ISO 3452-1 “Non-destructive testing - Penetrant testing - Part 1 General principles”.

The dye penetrant testing shall cover 100% of the welded compartment section.

No indications of leakage from one compartment to another may be observed during the penetrant examination. Furthermore, the dye penetrant testing shall be in accordance with NEN-EN-ISO 5817 Level D.

Dye penetrant testing shall be carried out by a person who is demonstrably qualified for this work, for example PT Level 1 or equivalent. The assessment of a dye penetrant testing shall be carried out by a person who is demonstrably qualified for this work, for example PT Level 2 or equivalent. The assessment shall not be carried out by a person who was directly involved in the welding the compartment section.

A report of the liquid penetrant examination that is traceable to the compartment section of the container tank under investigation shall be made available.

4.16.5 Frequency of radiographic, magnetic particle and dye penetrant testing

The inspection frequency applicable to container tanks is as stated below.

Visual inspection of the welds:

All welds of each container tank shall be visually inspected.

Radiographic and magnetic particle testing of the container tank welds

10% of the complete production of container tanks shall be subjected to radiographic testing and magnetic particle testing. The butt welds shall be examined using radiographic testing and the corner welds shall be examined using magnetic particle testing.

This means that radiographic or magnetic particle testing shall be carried out on at least 1 out of 10 tanks produced in accordance with this Evaluation Guideline.

During the initial evaluation, all container tanks shall be radiographic and magnetic tested.

Dye penetrant testing

Each compartment section shall be subjected to dye penetrant test.

In the event of unacceptable welding imperfections, the manufacturer of container tanks shall take the necessary measures to prevent these faults from occurring.

For inspections resulting in rejections: All errors found shall be repaired. The repaired area shall be re-inspected. If defects found during radiographic testing, run to the edge of the film, the adjacent areas must also be photographed. If errors are also found in these areas, 100% of the relevant weld must be photographed. The examination of the repaired areas is not included in the determination of the testing frequency.

4.17 Testing

Container tanks and the interstitial space, if present, shall be pneumatically pressure tested for leak tightness. Second containment shall be tested for liquid tightness.

These tests shall be performed before the application of the corrosion protection system.

4.17.1 Testing of the container tank for leak tightness

Each container tank or compartment shall be tested for leak tightness with air at a pressure of 30 kPa (0.3 bar(g)).

Remark: The container tank or compartment shall not be tested against vacuum.

The test pressure is measured by means of a (digital) manometer, the accuracy of which is traceable to a calibration standard.

Comment: Measurement data stored in a digital manometer can be used as supporting evidence by the certification body.

General testing sequence of the tank or compartment with air:

- Pressurize the tank or compartment.
- When the correct test pressure has been reached, the air supply (valve) on the container tank or compartment shall be shut off and the compressed air supply shall be disconnected.
- Wait until the pressure has stabilized (due to temperature and setting of plates).

- After stabilization, the connections, the manhole seals and all welds shall be checked for leak tightness using a soap solution. No indications of leakage shall be observed.
- The pressure on the container tank or compartment shall be maintained for at least 15 minutes. No inexplicable pressure drop may occur.
- Leaks shall be repaired, and the test repeated in accordance with the above method.

Remark 1: No permanent deformation of the container tank shall occur as a result of this test.

Remark 2: The container tank or compartment including the manhole cover to be supplied shall be "airtight".

The container tank or compartment is determined to be leak tight when there is no inexplicable loss of pressure during the test and when no leaks are visible when the container tank or compartment is being tested with the soap solution.

The leak tightness test is not performed by the person who was directly involved in the production of the tank.

A registration or report of the leak tightness test, which can be traced back to the tested container tank, shall be available.

4.17.2 Testing of the interstitial space for leak tightness

Each interstitial space shall be tested for leak tightness.

The test pressure for the interstitial space of a double-walled tank is 40 kPa (0.4 bar(g)).

Remark: It is inadvisable to set the test pressure higher than 40 kPa (0.4 bar(g)) due to the risk of implosion of the inner tank.

The test pressure is checked by means of a (digital) manometer, the accuracy of which is traceable to a calibration standard.

General testing sequence of the interstitial space with air:

- When the inner tank is ready, it is brought to an overpressure of 30 kPa and checked for leaks by means of a soap solution.
Remark: Alternatively, the welds of the container tank that will no longer be visible when the double wall has been installed can be tested by means of a dye penetrant examination.
- A record of this test, that is traceable to the tested container tank, shall be made.
- After the entire container tank (inside and outside tank) has been finished, the inside tank is brought to an overpressure of 30 kPa and the visible welds of these are tested using a soap solution.
- After pressurizing the inner tank, wait until the pressure has stabilized (due to temperature and settling of plates).
- After stabilization, the connections, the manhole seals and all visible welds shall be checked for leak tightness using a soap solution. No indications of leakage shall be observed.
- The pressure of the tank shall be maintained for at least 15 minutes. No inexplicable pressure drop may occur.
- With the pressure still on the inner tank, the interstitial space is pressurized to an overpressure of 40 kPa.
- After stabilization, the connections and all welds of the interstitial space shall be tested using a soap solution. No indications of leakage shall be observed.
- The pressure on the interstitial space shall be maintained for at least 15 minutes. No inexplicable pressure drop may occur.
- If no leaks are found, the pressure is first removed from the interstitial space.
- Finally, the inner tank is then made pressure less.
- Leaks shall be repaired, and the test repeated in accordance with the above method.

Remark: No permanent deformation of the container tank shall occur as a result of this test.

The interstitial space is determined to be leak tight when there is no inexplicable loss of pressure (or less than the indicated pressure loss is observed) during the test and when no leaks are visible when the container tank or compartment is being tested with the soap solution.

The leak tightness test is not performed by the person who was directly involved in the production of the tank.

A registration or report of the leak tightness test, which can be traced back to the tested interstitial space, shall be available.

4.17.3 Liquid-tightness of the second containment

Each second containment shall be tested for liquid tightness. All welded joints that are below the maximum liquid level shall be tested for leaks prior to the application of the corrosion protection system. This can be tested by filling the second containment entirely with water or by another comparable method (e.g. dye penetrant testing, vacuum box, etc.). The chosen method must be able to establish that the water did **not** reach the unloaded side of the second containment.

If a method other than water filling is used, this method shall be documented by the manufacturer of the container tank in a procedure that has been accepted by the certification body.

Leaks shall be repaired and then the second containment shall be tested again in accordance with the above method.

The second containment is found to be leak-tight if no fluid leakage is visible on the unloaded side.

The leak tightness test is not performed by the person who was directly involved in the production of the second containment.

A registration or report of the leak tightness test, which can be traced back to the tested second containment, shall be available.

4.17.4 Test for leak tightness of (welded) suction pipes

A leak in a welded suction pipe shall result in the suction pump being unable to pump the stored fluid. The connections of suction pipes in and on the container tank shall be tight and sufficiently robust so that no leakage occurs due to deformation after the fitting of the pipework.

4.18 Protection against corrosion

A carbon steel container tank shall be provided with a corrosion protection system. Container tanks constructed from high-alloy steel do not require a corrosion protection system.

4.18.1 External protection using a paint system

The outside of the container tank and second containment shall be provided with a corrosion protection system.

For this purpose, a durable paint system with a life expectancy of at least 15 years (= high), in accordance with the atmospheric corrosion category as indicated in NEN-EN-ISO 12944-2 shall be used.

The minimum atmospheric corrosion category for outdoor installation in an environment with high humidity and moderate pollution is C3.

The paint system must be applied by a company certified in accordance with the requirements of scope 6 of BRL-K790 "The application of coating systems to steel pipes or steel storage tanks for liquids".

The buyer / installation company shall specify the atmospheric corrosion category that the paint system on the container tank must comply with when ordering the tank.

Remark 1: The determination of the atmospheric corrosion category is the responsibility of the certified installation company.

Remark 2: To prevent evaporation of the stored product, it is recommended to provide the container tank with a light-coloured paint with a high radiation reflection.

4.18.2 Corrosion protection using hot-dip galvanizing

Parts of the container tank can be hot dip galvanized provided that a comparable level of protection is obtained as with the application of a coating or paint system, as indicated in § 4.18.1 of this Evaluation Guideline.

Hot dip galvanizing shall be carried out in accordance with NEN-EN-ISO 1461.

The following aspects regarding hot-dip galvanizing require consideration:

- Control of the with molten zinc bath (other metals).

- Data regarding the highest and lowest limits in relation to the thickness of the steel used. See tables 3 and 4 of NEN-EN-ISO 1461.
- The measurements required along with the required measuring equipment.

4.19 Internal corrosion protection

As an option, the inside of a carbon steel container tank can be provided with an corrosion protection system.

The inside of the tank can be provided with an internal coating. In that case use can be made of the following Evaluation Guidelines:

- BRL-K758 "Coating suitability of metal products to be coated";
- BRL-K779 "Internal coating of steel tanks for flammable liquids";
- BRL-K790 "Application of coating systems to steel pipes or steel storage tanks for liquids".

Remark: Only cylindrical tanks are eligible for an effective internal coating to be applied. In the case of non-cylindrical tanks, the wall deformation will have to be taken into account and can result in possible cracking.

4.20 Identification

The following information shall be provided on each container tank:

- Name of the supplier or his trademark;
- Container tank number (identification number);
- Year of manufacture (will not apply if the container tank number provides this information);
- Nominal volume in m³;
- The design pressure (atmospheric) of the container tank;
- The maximum specific gravity of the fluid that can be stored in the container tank;
- Tank type (single or double-walled);
- Tank material (carbon steel or stainless steel);
- Weight of the empty container tank;
- The word mark "KIWA";
- The corrosion protection category of the paint system used.

In the case of a single-walled container tank, the second containment shall be provided with the same identification number as the container tank and with include the word "BAK".

The above-mentioned information is indelibly marked on a corrosion-resistant identification plate. The identification plate shall be made of a durable material (for example brass, bronze, aluminium or stainless steel). The identification plate must be affixed by means of rivets, or by other similar durable means, on an underlying steel strip that is welded to the container tank. The identification plate shall be placed on a clearly visible location on the outside of the container tank.

The identification number must also be stamped into the manhole flange or neck or at another recognizable place (welded-on strip).

4.21 User instructions

The supplier of the container tank must supply instructions for the use of the container tank and draw the users' attention to those aspects that may endanger humans, animals and/or the environment. Also, aspects that may have a negative effect on the life expectancy, as well as all other aspects that the supplier deems worth mentioning shall be included in these instructions.

At least the following aspects shall be included in the instructions for use of the container tank:

- Proposed use of the container tank and the liquid to be stored in it.
- The instructions must stipulate the compliance with the local laws and regulations at the place of installation.
- The materials used, tank material, gaskets and the (internal) pipework.
- Important information is to be recorded prior to the delivery of the container tank in order to prevent misunderstandings (such as capacity, single-walled construction in combination with a second containment or double-walled construction, pipe connections, gasket material, etc.).
- Reference to the "as built" drawing.
- Reference to and explanation of the container tank declaration of conformity.
- The maximum capacity and instruction for filling the container tank.
- Information on the external corrosion protection provided on carbon steel tanks (atmospheric corrosion category, environmental conditions, expected life expectancy, etc.).

- Information on the internal corrosion protection information, if applicable.
- Guidance for the user pertaining to the parts covering the overfill protection as supplied by the supplier / tank manufacturer.
- Guidance for the user pertaining to the parts covering the leak detection system as supplied by supplier / tank manufacturer.
- Warning regarding the maximum pressures allowable in the tank and the interstitial space. The interstitial space is not designed for high pressures. Pressures above 40 kPa (0.4 bar (g)) can lead to the implosion of the inner container tank.
- Lifting instructions.
- Information regarding the mandatory inspections and checks.
- Operating instructions for the delivery system, if supplied.
- Drawings, data and declaration of conformity tank shall be retained for at least 15 years by the Kiwa certified company.

4.22 Transport, handling, aftercare

Upon delivery, the tank shall be internally clean.

All unused connections shall be sealed prior to transport.

While awaiting delivery to the buyer, the supplier / tank manufacturer shall provide suitable storage locations or warehouse space to prevent damage or deterioration of the quality of the container tank.

The supplier / tank manufacturer is responsible for loading and transporting the container tank (or outsourcing it) from the production site to the place of destination and the unloading on site, unless otherwise contractually agreed with the buyer.

General / piping

The supplier / tank manufacturer shall clearly mark the fluid level indicator connection(s).

4.23 Installation work

The aboveground container tank shall be installed as stipulated in BRL SIKB 7800 "Tank installations" (Tankinstallaties) / BRL-K903 "Regulation on the Approval of Installers for the Tank Installation" (Regeling Erkenning Installateurs Tankinstallatie).

5 Marking

5.1 General

See § 4.20 of this Evaluation Guideline for detailed information on the identification markings to be applied on new container tanks.

5.2 Certification mark

After entering into a certification agreement with Kiwa, the product shall be indelibly marked with the word mark "KIWA".

6 Quality system requirements

This chapter contains the requirements which shall be fulfilled by the supplier's quality system.

6.1 Manager of the quality system

Within the manufacturer's organisational structure an employee shall be responsible for managing the manufacturer's quality system.

6.2 Internal quality control/quality plan

As part of the quality system the manufacturer must implement an internal quality control scheme (IQC scheme).

In this IQC-scheme the following shall be demonstrably recorded:

- which aspects are inspected by the manufacturer;
- according to which methods these inspections are carried out;
- how often these inspections are carried out;
- how the inspection results are registered and stored.

The IQC scheme shall have an index, the version date and number and be validated by the quality system manager. This IQC scheme shall be in the format as shown in the Annex IV. The schedule must be detailed in such a way that it provides the certification body with sufficient confidence that requirements will be continuously fulfilled.

Certified companies may use a documented quality assurance system instead of an IQC scheme provided it is supplemented with a checklist. The documented quality assurance system must include the procedures required by this Evaluation Guideline.

At the time of the initial audit, the IQC scheme or quality assurance system shall have functioned for at least 1 month.

6.3 Procedures and working instructions

The supplier shall be able to submit the following:

- procedures for:
 - dealing with products with deviations;
 - corrective actions to be taken if non-conformities are found;
 - dealing with complaints concerning products and/or services delivered;
- the working instructions and inspection forms used.

Products or services with deviations

The certified company shall have a procedure covering products or services with deviations in order to prevent any deviations in the (production) process from influencing the quality of the final product.

Remark: A product can also be a service.

Corrective actions

The certified company shall have a procedure for taking the necessary corrective actions in the case of non-conformities. The cause of the non-conformity shall be investigated, and feedback given to the relevant department.

Complaints procedure

The certified company shall have a procedure covering the handling of complaints concerning the product delivered. This procedure shall include at least the following points:

- A written procedure for handling complaints.
- A person responsible shall be assigned within the company for handling complaints.
- Complaints shall be registered.
- Feedback shall be given to the relevant department as a result of complaints.

The corrective measures resulting from the complaints shall be recorded.

6.4 Registration / checklist

During production, the processes used and the inspections and tests carried out shall be recorded on a checklist.

6.5 Management of test and measuring equipment

The certified company shall determine which test and measuring equipment are required in order to demonstrate that the product meets the requirements of this Evaluation Guideline.

When necessary, and where indicated in this Evaluation Guideline, test and measuring equipment shall be calibrated at specified intervals.

The certified company shall assess the validity of the previous tests and measurements made if the calibration reveals that the testing or measurement equipment is not functioning properly.

The test and measuring equipment shall be provided with an identification with which the calibration status can be determined.

The certified company shall record the results of all calibrations.

The certified company shall have the necessary test and measuring equipment. These resources shall also be made available to the site assessor of the certification body. This includes amongst others the equipment for leak testing, wall thickness measurements, lighting with the required light intensity for tank inspections, coating thickness meter etc.

6.6 Other requirements for the quality system

The supplier shall be able to submit the following:

- the organisation's organogram;
- qualification requirements of the personnel concerned.

Quality system

If an organization has a quality system based on NEN-EN-ISO 9001, then where possible, reference can be made to procedures or instructions that form part of this quality system.

Changes

The certification body shall be informed in the event of changes that may have consequences for the quality of the products (including design changes or changes in production) and processes. The certification body then determines whether additional evaluation is required.

Work instruction and procedures

In addition, the following documentation or model reports may be added to the IQC scheme and / or documented quality system:

- A documented system for the welding procedures;
- A documented system for the management and maintenance of welder qualifications;
- A model report for the visual inspection of the welding work;
- A model (report) which confirms that the leak tightness test has been carried out;
- A production card that shows the present stage of production.

Documents / drawings

Container tanks shall be produced on the basis of an approved design that is detailed in documents / drawings.

Tank compliance certificates

The certified company shall, upon delivery of the container tank, prepare a declaration of conformity tank and make this available to the purchaser. The certification body will provide instructions for the preparation of the declaration of conformity tank.

7 Summary of tests and inspections

This chapter contains a summary of the tests and inspections to be carried out in the event of certification:

- **initial investigation:** tests in order to ascertain that all the requirements recorded in the Evaluation Guideline are met;
- **inspection test:** tests carried out after the certificate has been granted in order to ascertain whether the certified products continue to meet the requirements recorded in the Evaluation Guideline;
- **inspection of the quality system of the supplier:** monitoring compliance of the IQC scheme and procedures.

The frequency with which the certification body shall carry out audits and tests is also stated in the summary.

7.1 Test matrix

| Description of requirement | BRL paragraph no. | Class | Investigation carried out for | | |
|--|-------------------|-------|-------------------------------|--|-------------------------|
| | | | Initial investigation | Inspection by certification body after certification | |
| | | | | Inspection test | Frequency |
| Product requirements | | | | | |
| Design | 4.1 | 1 | Yes | Yes | 1/5 tanks |
| Design and dimensions of the steel container tank | 4.2 | 1 | Yes | Yes | 1/5 tanks |
| Manholes | 4.3 | 1 | Yes | Yes | 1/5 tanks |
| Lifting lugs | 4.4 | 1 | Yes | Yes | 1/5 tanks |
| Tank supports | 4.5 | 1 | Yes | Yes | 1/5 tanks |
| Reinforcements | 4.6 | 1 | Yes | Yes | 1/5 tanks |
| Construction of the connections | 4.7 | 1 | Yes | Yes | 1/5 tanks |
| Interstitial space / leak detection | 4.8 | 1 | Yes | Yes | 1/5 tanks |
| Filling connection, fill pipe, overflow protection device and provision against spillage caused during filling | 4.9 | 1 | Yes | Yes | 1/5 tanks |
| Construction of the second containment / container | 4.10 | 1 | Yes | Yes | 1/5 tanks |
| Compartments | 4.11 | 1 | Yes | Yes | 1/5 tanks |
| Pump dispenser | 4.12 | 1 | Yes | Yes | 1/5 tanks |
| Material | 4.13 | 2 | Yes | Yes | 1 x per year |
| Dimensional tolerances | 4.14 | 2 | Yes | Yes | 1 x per year |
| Bending and setting of the sheet material | 4.15.1 | 1 | Yes | Yes | 1 x per year |
| Carbon steel contamination of high-alloy steel | 4.15.2 | 1 | Yes | Yes | 1 x per year |
| Preparation of weld seams | 4.15.3 | 1 | Yes | Yes | 1 x per year |
| Welding procedure specification (WPS) and welding procedure qualification (WPQ) | 4.15.4 | 1 | Yes | Yes | 1 x per year |
| Welder qualifications | 4.15.5 | 1 | Yes | Yes | 1 x per year |
| Visual inspection of welds | 4.16.1 | 1 | Yes | Yes | Each visit |
| Radiographic testing | 4.16.2 | 1 | Yes | Yes | 1 x per year/each visit |
| Magnetic particle testing | 4.16.3 | 1 | Yes | Yes | 1 x per year/each visit |
| Dye penetrant testing | 4.16.4 | 1 | Yes | Yes | 1 x per year/each visit |

| Description of requirement | BRL paragraph no. | Class | Investigation carried out for | | |
|--|-------------------|-------|-------------------------------|--|---------------------------|
| | | | Initial investigation | Inspection by certification body after certification | |
| | | | | Inspection test | Frequency |
| Frequency of radiographic, magnetic particle and dye penetrant | 4.16.5 | 1 | Yes | Yes | 1 x per year/each visit |
| Testing of the container tank for leak tightness | 4.17.1 | 1 | Yes | Yes | Each visit |
| Testing of the interstitial space for leak tightness | 4.17.2 | 1 | Yes | Yes | Each visit, if applicable |
| Liquid-tightness of the second containment | 4.17.3 | 2 | Yes | Yes | Each visit, if applicable |
| Test for leak tightness of (welded) suction pipes | 4.17.4 | 2 | Yes | Yes | Each visit, if applicable |
| External protection using a paint system | 4.18.1 | 2 | Yes | Yes | Each visit |
| Corrosion protection using hot-dip galvanizing | 4.18.2 | 2 | Yes | Yes | Each visit, if applicable |
| Internal corrosion protection | 4.19 | 3 | Yes | Yes | Each visit, if applicable |
| Identification | 4.20 | 1 | Yes | Yes | 1/5 tanks |
| User instructions | 4.21 | 2 | Yes | Yes | 1 x per year |
| Transport, handling, aftercare | 4.22 | 3 | Yes | Yes | 1 x per year |
| Installation work | 4.23 | 2 | Yes | Yes | 1 x per year |
| Marking | | | | | |
| Certification mark | 5.2 | 2 | Yes | Yes | Each visit |
| Quality system requirements | | | | | |
| Manager of the quality system | 6.1 | 2 | Yes | Yes | 1 x per year |
| Internal quality control/quality plan | 6.2 | 2 | Yes | Yes | 1 x per year |
| Procedures and working instructions | 6.3 | 2 | Yes | Yes | 1 x per year |
| Registration / checklist | 6.4 | 2 | Yes | Yes | 1 x per year |
| Management of test and measuring equipment | 6.5 | 2 | Yes | Yes | 1 x per year |
| Other requirements for the quality system | 6.6 | 2 | Yes | Yes | 1 x per year |

Explanation of classes: Non-conformities may be found during the inspection visits. These non-conformities are classified according to the following classes:

- 1 = Critical: These non-conformities can result in dangerous or unsafe situations. The supplier shall, in consultation with the certification body, take the required corrective actions within two weeks. Exceeding this period shall result in a suspension of the certificate.*
- 2 = Important: These non-conformities affect the quality of the product in the longer term. The supplier shall, in consultation with the certification body, take the required corrective actions within three months. Exceeding this period shall result in a suspension of the certificate.*
- 3 = Less important: These non-conformities are less important but shall be corrected in the long term. This is checked by the certification body during the next inspection visit.*

During the initial investigation, type tests shall be performed to determine if the product complies with the prescribed requirements. The requirements that shall be met are stated in the test matrix above. In the event of changes to the material used or the supplier, the type tests shall be repeated.

Also, the quality system of the supplier / manufacturer shall be assessed during the initial inspection.

After certification, the certification body shall carry out periodic inspection visits to ensure that the supplier / producer continuously meets the requirements of this Evaluation Guideline. Some type tests will have to be repeated during these inspection visits.

7.2 Inspection of the quality system of the supplier

The quality system of the supplier will be checked by the certification body on the basis of the IQC scheme. The inspection consists of at least those aspects mentioned in the Kiwa Regulations for Certification.

8 Agreements on the implementation of certification

8.1 General

Beside the requirements included in these Evaluation Guidelines, the general rules for certification as included in the regulations for product certification of the certification body shall also apply. These rules are in particular:

- the general rules for conducting the pre-certification tests, in particular:
 - the way suppliers are to be informed about how an application is being handled;
 - how the test is conducted;
 - the decision to be taken as a result of the pre-certification tests.
- the general rules for conducting inspections and the aspects to be audited,
- the measures taken by the certification body in case of improper use of Certificates, Certification Marks, Pictograms and Logos,
- terms for termination of the certificate,
- the possibility to lodge and appeal against decisions or measures taken by the certification body.

8.2 Certification staff

The staff involved in the certification may be sub-divided into:

- Certification assessor (**CAS**): in charge of carrying out the pre-certification tests and assessing the inspectors' reports;
- Site assessor (**SAS**): in charge of carrying out external inspections at the supplier's works;
- Decision maker (**DM**): in charge of taking decisions in connection with the pre-certification tests carried out, continuing the certification in connection with the inspections carried out and taking decisions on the need to take corrective actions.

8.2.1 Qualification requirements

The qualification requirements consist of:

- qualification requirements for personnel of a certification body which satisfies the requirements EN ISO/IEC 17065, performing certification activities
- qualification requirements for personnel of a certification body performing certification activities set by the Board of Experts for the subject matter of this Evaluation Guideline

Education and experience of the concerning certification personnel shall be recorded.

| | Certification assessor / (Application) Reviewer | Site assessor | Decision maker |
|---|---|---|---|
| Basic competence | | | |
| Knowledge of business processes and ability for professional evaluation | <ul style="list-style-type: none"> • Bachelor degree or similar work and reasoning level • 1 year of relevant working experience | <ul style="list-style-type: none"> • Vocational education at intermediate level or similar work and reasoning level • 1 year of relevant working experience | <ul style="list-style-type: none"> • Bachelor degree or similar work and reasoning level • 5 years of working experience with a minimum of 1-year experience with certification |
| Audit skills | <ul style="list-style-type: none"> • Training in audit skills • Minimum of 4 complete audits of which at least 1 has been carried out independently and witnessed for qualification | <ul style="list-style-type: none"> • Training in audit skills • Minimum of 4 complete audits of which at least 1 has been carried out independently and witnessed for qualification | Not applicable |
| Technical competence | | | |

| | Certification assessor / (Application) Reviewer | Site assessor | Decision maker |
|---|--|--|--|
| Knowledge of this BRL | <ul style="list-style-type: none"> Detailed knowledge of this BRL and a minimum of 4 complete audits for this BRL or for related BRL's | <ul style="list-style-type: none"> Detailed knowledge of this BRL and a minimum of 4 complete audits for this BRL or for related BRL's | Not applicable |
| Relevant knowledge of: <ul style="list-style-type: none"> The technology related to the manufacturing of the products to be inspected, the performance of these processes and the provision of these services The manner in which the products are used, the processes are performed and the services are provided Any defect which may occur during the use of the product, any error in the execution of processes and any inadequacies in the provision of services | <ul style="list-style-type: none"> Relevant technical education at Bachelor degree or similar work and reasoning level Detailed knowledge of cluster related BRL's Visual welding inspector VT-w Level 2 or equal | <ul style="list-style-type: none"> Relevant technical vocational education at intermediate level or similar work and reasoning level Detailed knowledge of cluster related BRL's Visual welding inspector VT-w Level 1 or equal | Basic knowledge of test and inspection techniques. |

8.2.2 Qualification

The qualification of the Certification staff shall be demonstrated by means of assessing the education and experience to the above-mentioned requirements. In case staff is to be qualified on the basis of other criteria, this shall be recorded.

The authority to qualify staff rests with the:

- Decision makers (**DM**): qualification of certification assessors (**CAS**) and site assessors (**SAS**);
- Management of the certification body: qualification of decision makers (**DM**).

8.3 Report initial investigation

The certification body records the results of the initial investigation in a report.

This report shall comply with the following requirements:

- complete: the report provides a verdict pertaining to all requirements included in this Evaluation Guideline;
- traceability: the findings on which the verdicts have been based shall be recorded and traceable;
- basis for decision: the **DM** shall be able to base his decision on the findings included in the report.

8.4 Decision for granting the certificate

The decision for granting the certificate shall be made by a qualified decision maker (DM) who has not been involved in the pre-certification tests. The decision shall be recorded in a traceable manner.

8.5 Layout of quality declaration

The product certificate shall be in accordance with the model included in Annex I. The declaration of conformity tank shall be in accordance with the model included in Annex II.

8.6 Nature and frequency of third party audits

The certification body shall carry out surveillance audits on the supplier's site at regular intervals to check whether the supplier complies with his obligations. The Board of Experts decides on the frequency of these audits.

At the time this BRL was validated, the frequency of audits has been determined at 1 audit per 5 tanks produced under certificate with a maximum of 5 audits per year.

The assessment program on site shall cover at least:

- the product requirements;
- the production process;
- the suppliers IQC scheme and the results obtained from inspections carried out by the supplier;
- the correct marking of the certified products;
- compliance with the required procedures;
- handling of complaints concerning the delivered products.

The results of each audit shall be reported by the certification body in a traceable manner.

8.7 Non conformities

When the certification requirements are not met, measures are taken by the certification body in accordance with the sanctions policy as detailed in the regulation for certification of the certification body.

The regulations for certification can be found at the Kiwa website.

8.8 Report to the Board of Experts

The certification body shall report annually regarding the certification activities performed. This report shall include the following aspects:

- mutations in number of certificates issued (granted/withdrawn);
- number of inspections carried out in relation to the required minimum;
- the results of these inspections;
- the measures imposed in case of shortcomings;
- the complaints received concerning the certified products.

8.9 Interpretation of requirements

The Board of Experts may record the interpretation of requirements of this Evaluation Guideline in a separate interpretation document.

8.10 Specific rules set by the Board of Experts

No specific rules have been laid down by the Board of Experts when validating this Evaluation Guideline.

9 List of referenced documents

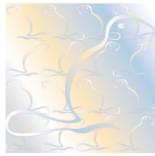
9.1 Standards / normative documents

| Public law regulations: | Title |
|--------------------------------|---|
| EURAL | European Waste Catalogue |
| Evaluation Guideline: | Title (Evaluation Guideline for the certification of:) |
| BRL-K748 | Metal drip trays for filling points. |
| BRL-K758 | Coating suitability of metal products to be coated. |
| BRL-K636 | Overfill prevention devices for storage tanks for liquid petroleum fuels. |
| BRL-K779 | Internal coating of steel tanks for flammable liquids. |
| BRL-K790 | Application of coating systems on steel pipes or steel storage tanks for liquids. |
| BRL-K903 / | Certification scheme for Installers of Tank Installations (REIT) / Tank |
| BRL SIKB 7800 | Installations. |
| BRL-K910 | Leak detection systems intended for the storage and / or transport of liquid / gaseous products. |
| BRL-K916 | Anti-siphon devices for tank installations. |
| BRL SIKB 7800 | Tank installations (former BRL-K903) |
| Standards: | Title |
| ISO 7-1 part 1 | Pipe threads where pressure-tight joints are made on the threads – Part 1: Dimensions, tolerances and designation. |
| NEN-EN 288-1 (withdrawn) | Specification and approval of welding procedures for metallic materials - Part 1: General rules for fusion welding. |
| NEN-EN 288-2 (withdrawn) | Specification and approval of welding procedures for metallic materials - Part 2: Welding procedure specification for arc welding. |
| NEN-EN 288-3 (withdrawn) | Specification and approval of welding procedures for metallic materials - Part 3: Welding procedure tests for the arc welding of steels. |
| NEN-EN 1991-1-3 | Eurocode 1: Loads on structures - Part 1-3: General loads - Snow loads. |
| NEN-EN 1991-1-4 | Eurocode 1: Loads on structures - Part 1-4: General loads - Wind loads. |
| NEN-EN 1998-4 | Eurocode 8 - Design of structures for earthquake resistance - Part 4: Silos, tanks and pipelines. |
| NEN-EN 10025-1 | Hot rolled products of structural steels - Part 1: General technical delivery conditions. |
| NEN-EN 10025-2 | Hot rolled products of structural steels - Part 2: Technical delivery conditions for non-alloy structural steels. |
| NEN-EN 10025-3 | Hot rolled products of structural steels - Part 3: Technical delivery conditions for normalized/normalized rolled weldable fine grain structural steels. |
| NEN-EN 10025-4 | Hot rolled products of structural steels - Part 4: Technical delivery conditions for thermomechanical rolled weldable fine grain structural steels. |
| NEN-EN 10025-5 | Hot rolled products of structural steels - Part 5: Technical delivery conditions for structural steels with improved atmospheric corrosion resistance. |
| NEN-EN 10025-6 | Hot rolled products of structural steels - Part 6: Technical delivery conditions for flat products of high yield strength structural steels in the quenched and tempered condition. |
| NEN-EN 10028-1 | Flat products made of steels for pressure purposes - Part 1: General requirements. |
| NEN-EN 10028-2 | Flat products made of steels for pressure purposes - Part 2: Non-alloy and alloy steels with specified elevated temperature properties. |
| NEN-EN 10028-3 | Flat products made of steels for pressure purposes - Part 3: Weldable fine grain steels, normalized. |
| NEN-EN 10028-4 | Flat products made of steels for pressure purposes - Part 4: Nickel alloy steels with specified low temperature properties. |
| NEN-EN 10028-5 | Flat products made of steels for pressure purposes - Part 5: Weldable fine grain steels, thermomechanically rolled. |
| NEN-EN 10028-6 | Flat products made of steels for pressure purposes - Part 6: Weldable fine grain steels, quenched and tempered. |
| NEN-EN 10028-7 | Flat products made of steels for pressure purposes - Part 7: Stainless steels |
| NEN-EN 10088-1 | Stainless steels - Part 1: List of stainless steels. |

| | |
|------------------------|--|
| NEN-EN 10088-2 | Stainless steels - Part 2: Technical delivery conditions for sheet/plate and strip of corrosion resisting steels for general purposes. |
| NEN-EN 10088-3 | Stainless steels - Part 3: Technical delivery conditions for semi-finished products, bars, rods, wire, sections and bright products of corrosion resisting steels for general purposes. |
| NEN-EN 10204:2004 | Metallic products - Types of inspection documents. |
| NEN-EN 10241 | Steel threaded pipe fittings. |
| NEN-EN 10242 | Threaded pipe fittings in malleable cast iron. |
| NEN-EN 12285-2 | Workshop fabricated steel tanks - Part 2: Horizontal cylindrical single skin and double skin tanks for the aboveground storage of flammable and non-flammable water polluting liquids. |
| NEN-EN-ISO 1461 | Hot dip galvanized coatings on fabricated iron and steel articles - Specifications and test methods. |
| NEN-EN-ISO 3452-1 | Non-destructive testing - Penetrant testing - Part 1: General principles. |
| NEN-EN-ISO 5817 | Welding - Fusion-welded joints in steel, nickel, titanium and their alloys (beam welding excluded) - Quality levels for imperfections. |
| NEN-EN-ISO 6520-1 | Welding and allied processes - Classification of geometric imperfections in metallic materials - Part 1: Fusion welding. |
| NEN-EN-ISO 9001 | Quality management systems - Requirements. |
| NEN-EN-ISO 9606-1 | Qualification testing of welders - Fusion welding - Part 1: Steels. |
| NEN-EN-ISO 10675-1 | Non-destructive testing of welds - Acceptance levels for radiographic testing - Part 1: Steel, nickel, titanium and their alloys. |
| NEN-EN-ISO 12944-1 | Paints and varnishes - Corrosion protection of steel structures by protective paint systems - Part 1: General introduction. |
| NEN-EN-ISO 12944-2 | Paints and varnishes - Corrosion protection of steel structures by protective paint systems - Part 2: Classification of environments. |
| NEN-EN-ISO 12944-3 | Paints and varnishes - Corrosion protection of steel structures by protective paint systems - Part 3: Design considerations. |
| NEN-EN-ISO 12944-4 | Paints and varnishes - Corrosion protection of steel structures by protective paint systems - Part 4: Types of surface and surface preparation. |
| NEN-EN-ISO 12944-5 | Paints and varnishes - Corrosion protection of steel structures by protective paint systems - Part 5: Protective paint systems. |
| NEN-EN-ISO 14732 | Welding personnel - Qualification testing of welding operators and weld setters for mechanized and automatic welding of metallic materials. |
| NEN-EN-ISO 15607 | Specification and qualification of welding procedures for metallic materials - General rules. |
| NEN-EN-ISO 15609-1 | Specification and qualification of welding procedures for metallic materials - Welding procedure specification - Part 1: Arc welding. |
| NEN-EN-ISO 15609-2 | Specification and qualification of welding procedures for metallic materials - Welding procedure specification - Part 2: Gas welding. |
| NEN-EN-ISO 15609-3 | Specification and qualification of welding procedures for metallic materials - Welding procedure specification - Part 3: Electron beam welding. |
| NEN-EN-ISO 15609-4 | Specification and qualification of welding procedures for metallic materials - Welding procedure specification - Part 4: Laser beam welding. |
| NEN-EN-ISO 15614-1 | Specification and qualification of welding procedures for metallic materials - Welding procedure test - Part 1: Arc and gas welding of steels and arc welding of nickel and nickel alloys. |
| NEN-EN-ISO 17636-1 | Non-destructive testing of welds - Radiographic testing - Part 1: X- and gamma-ray techniques with film. |
| NEN-EN-ISO 17638 | Non-destructive testing of welds - Magnetic particle testing. |
| NEN-EN-ISO 23278 | Non-destructive testing of welds - Magnetic particle testing - Acceptance levels. |
| NEN-EN-ISO/IEC 17020 | Conformity assessment - Requirements for the operation of various types of bodies performing inspection. |
| NEN-EN-ISO/IEC 17021-1 | Conformity assessment - Requirements for bodies providing audit and certification of management systems - Part 1: Requirements. |
| NEN-EN-ISO/IEC 17024 | Conformity assessment - General requirements for bodies operating certification of persons. |
| NEN-EN-ISO/IEC 17025 | General requirements for the competence of testing and calibration laboratories |
| NEN-EN-ISO/IEC 17065 | Conformity assessment - Requirements for bodies certifying products, processes and services. |

If no date of issue is mentioned, the current version of the document applies.

Annex I Model product certificate



Product certificate KXXXXXX/XX

Issued *yyyy-mm-dd*

Replaces

page *1 of 2*

Container tanks

STATEMENT BY KIWA

With this product certificate, issued in accordance with the Kiwa Regulations for Certification, Kiwa declares that legitimate confidence exists that the products supplied by

<Name supplier>

as specified in this product certificate and marked with the Kiwa®-mark in the manner as indicated in this product certificate may, on delivery, be relied upon to comply with Kiwa evaluation guideline BRL-K21013/01 "Container tanks" dated 01-11-2019.

Ronald Karel
Kiwa

Publication of this certificate is allowed.

Advice: consult www.kiwa.nl in order to ensure that this certificate is still valid.

Kiwa Nederland B.V.
Sir Winston Churchillaan 273
Postbus 70
2280 AB RIJSWIJK
The Netherlands
Tel. 088 998 44 00
Fax 088 998 44 20
info@kiwa.nl
www.kiwa.nl

Supplier
<name supplier>
<address>
<postal code> <TOWN>
Tel.
Fax
www.
E-mail

**Certification process
consists of initial and
regular assessment
of:**

- quality system
- product

Product certificate

KXXXXXX/XX

Page 2 of 2

Container tanks

Technical specification

The products (container tanks) are intended for use for stationary and atmospheric storage and dispensing of liquids.

Application and use

Container tanks are intended for use for stationary and atmospheric storage and dispensing of liquids. The liquids stored are liquid fuels and / or mineral oil products having a flash point greater than or equal to 55 °C.

Marking

The products are marked with the Kiwa quality mark.

Location of the mark: on an identification plate on the outside of the second containment / container at a location that is clearly visible.

Mandatory indications:

- supplier's name or trademark;
- year of construction (will not apply if the tank number indicates this);
- tank number;
- nominal capacity in m³;
- the design pressure (atmospheric) of the tank;
- the maximum relative density of the liquid that can be stored in the tank;
- tank type (single or double-walled);
- tank material (carbon steel or stainless steel);
- weight when empty;
- the Kiwa mark;
- the corrosion category of the paint system used.

RECOMMENDATIONS FOR CUSTOMERS

Check on receipt of the tank compliance certificate whether:

- the supplier has delivered in accordance with the agreement;
- the mark and the marking method are correct;
- the products show no visible defects as a result of transport etc.

If you should reject this product on the basis of the above then please contact:

- <Name supplier>

and, if necessary,

- Kiwa Nederland B.V.

Consult the instructions of the certified company for the correct method of storage, transport and processing of the container tank.

Annex II Model declaration of conformity

Declaration of conformity tank

BRL-K21013/01

Container tanks

Client

Supplier/manufacturer

Tank Supplier B.V.
Street 1
1234 AB ERGENS
Tel: 0123-112200
Fax: 0123-112233
Email: info@tankleverancier.nl

Registration number
Kiwa registration no..

Registration date
??-??-20??

Tank number:
Tank no.

Tank data

Year of manufacture (yyyy)
Nominal capacity (l)
Design pressure (kPa) Atmospheric
Weight empty (kg)
Maximum fluid density (kg/l)
Length (mm)
Width(mm)
Height (mm)
Wall construction Single wall / Double walled
Material Steel / Stainless steel
External coating* C3
Internal coating (option)
* complies as a minimum with the environmental condition C3 in accordance with ISO 12944-2

Declaration by Kiwa

Based on pre-certification tests as well as periodic inspections by Kiwa, the product referred to on this compliance document and constructed by above mentioned manufacturer, may, on delivery, be relied upon to comply with the Kiwa Evaluation Guideline BRL-K21013.

Declaration by supplier/manufacturer

The supplier/manufacturer declares that the container tank has been produced according to the requirements specified in the Kiwa Evaluation Guideline BRL-K21013.

General

Besides this declaration of conformity tank an installation certificate must be issued to prove that the tank installation is in accordance with local laws and regulations (NL).

Recommendations for customers

- Check on receipt of the declaration of conformity tank whether:
- The serial number of the container tank is in accordance with this declaration of conformity tank.
 - The container tank has no visible damage incurred due to transport.

If you should reject this product on the basis of the above then please contact:

1. The supplier of the container tank.
2. Kiwa Nederland B.V.

A copy of this declaration of conformity tank is for the local authorities, owner, supplier, Kiwa



Kiwa Nederland B.V.

Sir Winston Churchill-laan 273
P.O. Box 70
2280 AB Rijswijk
Telephone: 088 998 44 00
Internet: www.kiwa.nl

Validation date ??-??-20??

Registration number

Annex III Container tank construction

Principle of a container tank

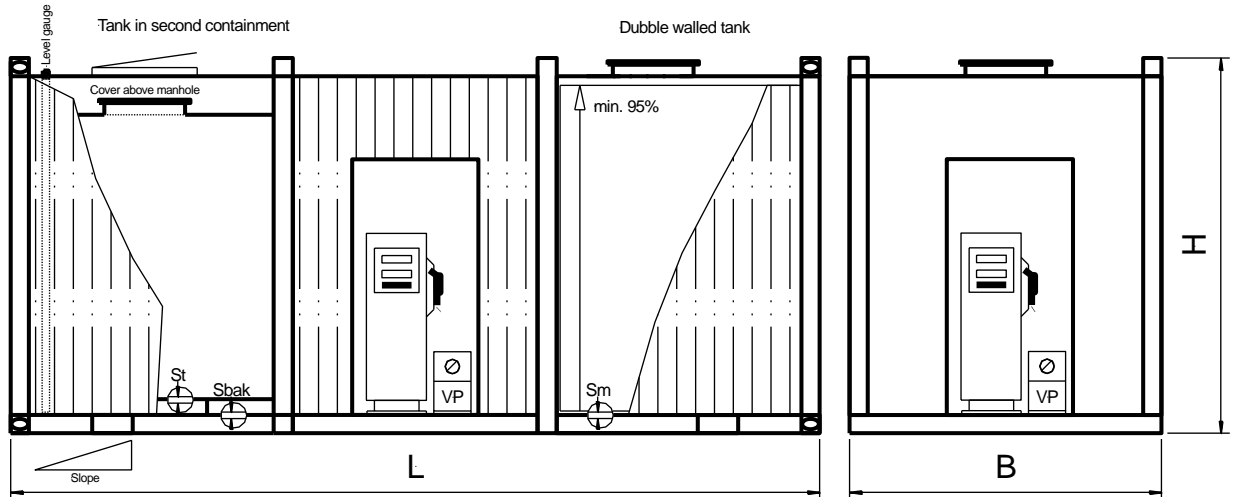


Figure Annex 3.1: Example of container tanks

- L = Container tank length
- B = Container tank width
- H = Container tank height
- S_t = Nominal wall thickness of the tank, minimum 3 mm
- S_{bak} = Nominal wall thickness of the second containment, minimum 3 mm
- S_m = Nominal wall thickness of the outer wall, minimum 3 mm

Annex IV IQC scheme (Example)

IV.1. IQC scheme

The supplier / tank manufacturer shall have an internal quality assurance scheme (IQC scheme) implemented in his factory. This IQC scheme is an overview of the internal and quality controls that the supplier / tank manufacturer performs during production. The IQC scheme contains a schematic overview of all controls that relate to the production of container tanks.

The IQC scheme consists of the following components:

- Which inspections are carried out by the supplier / tank manufacturer.
- What is specifically inspected.
- Which test method is used.
- What is the inspection frequency.
- The method of registration regarding the inspection performed and the results obtained.

Example

B Inspection during production

| No. | Description | Inspection aspects | Inspection method | Instruction no. | Inspection frequency | Inspection registration |
|-----|-------------------|---------------------------------|------------------------|-----------------|----------------------|-------------------------|
| 1 | Cutting of plates | Instruction / Drawing | | | | |
| 1.1 | | Dimensions | (Inspection equipment) | (Procedure ...) | (Each plate) | (Checklist ...). |
| 1.2 | | Bottom circumference | (Inspection equipment) | (Procedure ...) | (Each plate) | (Checklist ...). |
| | | | | | | |
| 2 | Rolling of plates | Instruction / Drawing | | | | |
| 2.1 | | <i>Dimensions after rolling</i> | (Inspection equipment) | (Procedure ...) | (Each plate) | (Checklist ...). |
| | | | | | | |
| 3 | | | | | | |
| 3.1 | | | | | | |
| 3.1 | | | | | | |
| | | | | | | |
| 4 | | | | | | |
| 4.1 | | | | | | |
| 4.1 | | | | | | |
| | | | | | | |

The final IQC scheme is a proprietary scheme. After all, each company has its own working practises and methods. It is therefore important that the IQC scheme corresponds with the working practices and methods within the company, but at the same time is in conformance with the requirements of BRL-K21013.

IV.2. Checklist

A checklist contains a registration of all relevant production steps, checks and inspections. The checklist is traceable to the container tank to be produced and is kept up to date during production by the employees of the tank supplier / tank manufacturer. The checklist also gives the production stage of the tank. The term production card can also be used instead of checklist.

Example of a checklist

Supplier / tank manufacturer

Order number:

| | | | | | |
|-------------------------|---|--------------------------------|--|---------------------|-------------|
| Production number: | | Client: | | Drawing no.: | |
| Tank Capacity (litres): | | Tank type: | | Material tank: | |
| Tot. length tank (mm): | | Cyl. length (mm): | | Diameter tank (mm): | |
| Wall thickness tank: | | Wall thickness double wall: | | | |
| Manhole dimensions: | | | | | |
| No. of lifting lugs: | | Size of lifting lug hole: | | | |
| Connections: | Filling line Vent Suction Fluid level indicator Extra connections | | | | DN 80 DN |

Check internal quality department

| | | | |
|-----------------------------------|---------|--------------|--|
| <input type="checkbox"/> Internal | Status: | Employee(s): | |
| <input type="checkbox"/> Kiwa | Date: | | |

| Description | Accepted | | | Signature | Name of employee | Remarks |
|-------------------------------|--------------------------|--------------------------|--------------------------|-----------|------------------|---------|
| | Y | N | N.A. | | | |
| 1.0 Cutting of plate | <input type="checkbox"/> | <input type="checkbox"/> | <input type="checkbox"/> | | | Charge: |
| 2.0 Bending of plate material | <input type="checkbox"/> | <input type="checkbox"/> | <input type="checkbox"/> | | | |
| 3.0 Etc. | <input type="checkbox"/> | <input type="checkbox"/> | <input type="checkbox"/> | | | |
| | <input type="checkbox"/> | <input type="checkbox"/> | <input type="checkbox"/> | | | |

IV.3. Quality system

The supplier/ tank manufacturer can also set up a documented quality system. If an organization has a quality system based on NEN-EN-ISO 9001, then where possible, reference can be made to procedures or instructions that form part of this quality system.

Kiwa can provide the supplier / tank manufacturer with an example of a quality system.