

# 1 The affixing of NTA 8776 markings

The manufacturer must affix a specific marking to all products for which approval has been granted by a Notified Body before the products are marketed. The variants of the mark of approval and logo shall only be used in black or white (based on contrast)

The font used for the text in the variants of the mark of approval and logo shall be:

— NTA: Calibri, Regular 9 pt

— 8776: Calibri, Bold 9 pt

## 1.1 Visual appearance of “NTA 8776” mark of approval inside the S-EPAC helmet

The “NTA 8776” mark of approval as shown below shall be placed on a label firmly affixed to the inside of the S-EPAC helmet.

The mark of approval shall consist only of the clearly legible text: NTA 8776.

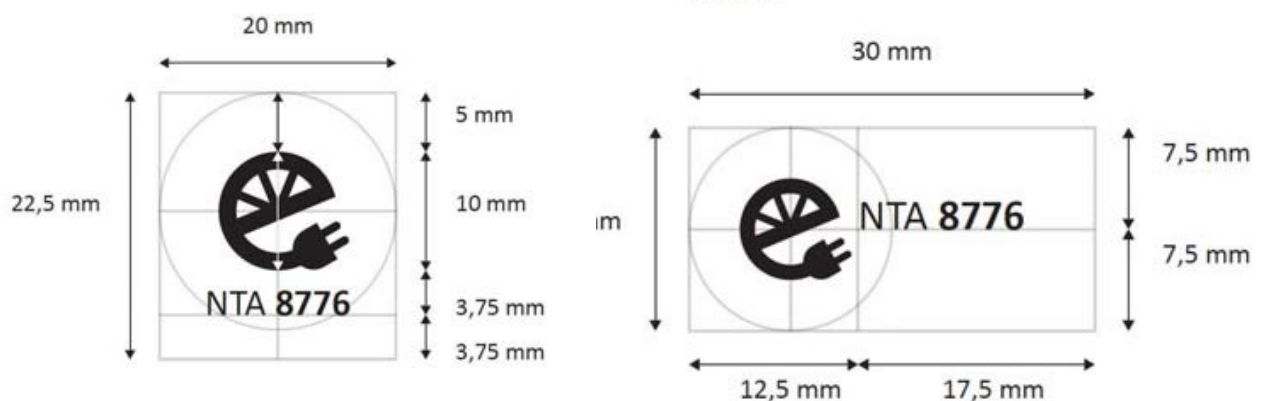


## 1.2 Visual appearance of “NTA 8776” mark of approval in the manual, on a tag and/or on Packaging and “NTA 8776” logo for promotion and marketing purposes

The “NTA 8776” mark of approval, as shown below, shall be visible in the manual, on a tag attached to the S-EPAC helmet and/or on the packaging of the helmet, and consists of:

— the “NTA 8776” logo, including the text: NTA 8776;

These elements are at fixed position in the “NTA 8776” mark of approval as shown below. It is not allowed to move or exclude elements. This logo may also be used for communication purposes, e.g. promotion and marketing.



### 1.3 Visual appearance of “NTA 8776” logo on the outside of the S-EPAC helmet

The “NTA 8776” mark of approval can be placed on the outside of the helmet. In that case the mark of approval shall be visualized as shown below.

