

AR 69-1

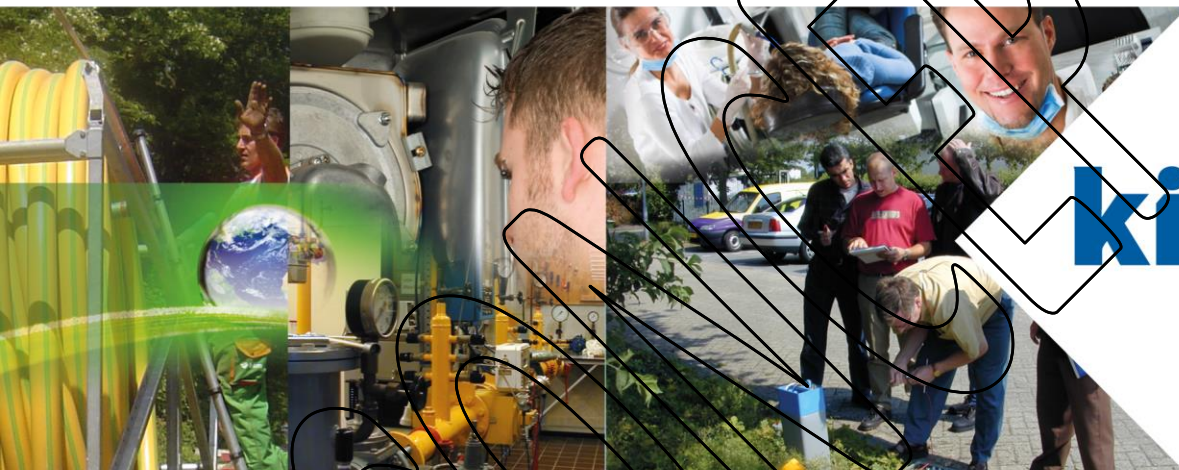
Datum jjjj-mm-dd

bindendverklaring

Approval requirement

69-1

Manually operated ball valves and closed bottom taper plug valves for gas installations for buildings



Trust
Quality
Progress

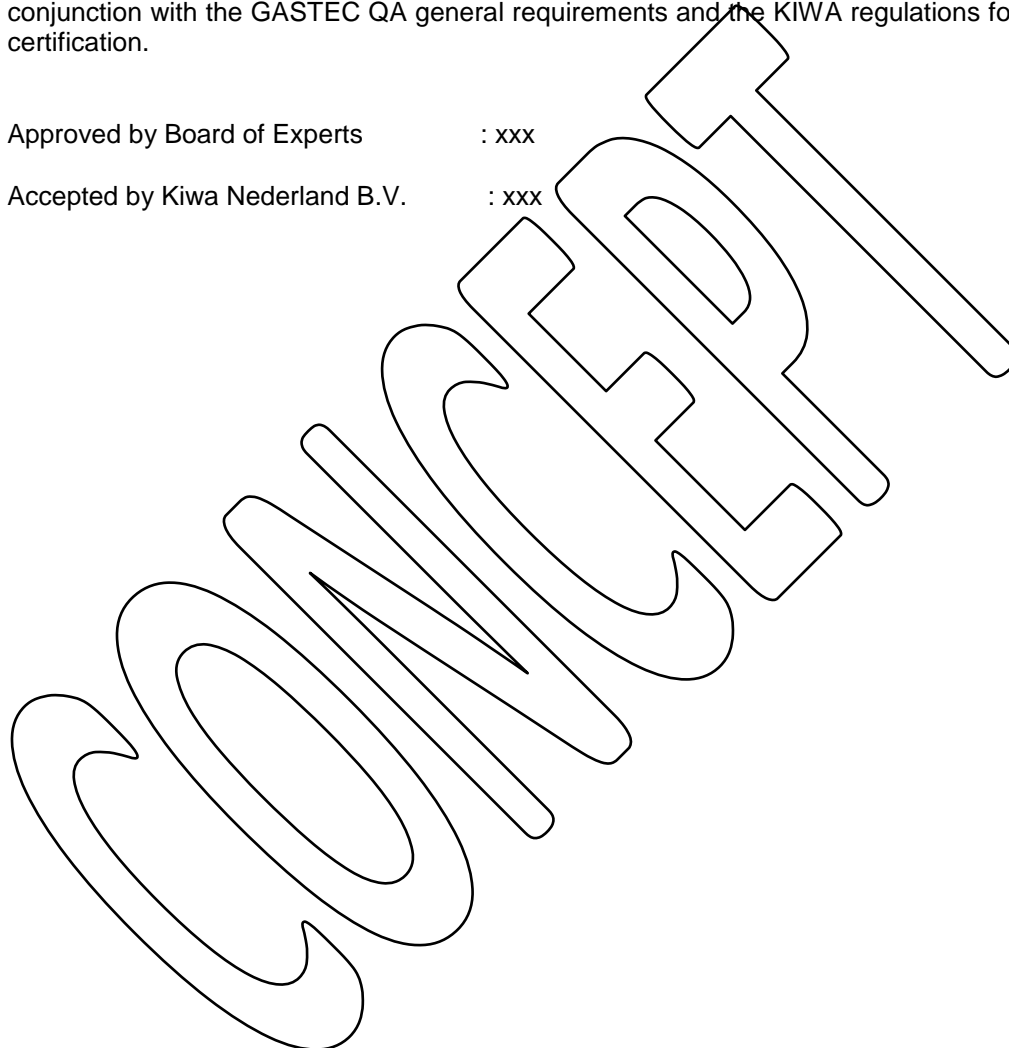
Foreword

This GASTEC QA Approval requirement has been approved by the Board of Experts product certification GASTEC QA, in which relevant parties in the field of gas related products are represented. This Board of Experts supervises the certification activities and where necessary require the GASTEC QA Approval requirement to be revised. All references to Board of Experts in this GASTEC QA Approval requirement pertain to the above mentioned Board of Experts.

This GASTEC QA Approval requirement will be used by Kiwa Nederland BV in conjunction with the GASTEC QA general requirements and the KIWA regulations for certification.

Approved by Board of Experts : xxx

Accepted by Kiwa Nederland B.V. : xxx



Kiwa Nederland B.V.

Wilmersdorf 50
Postbus 137
7300 AC Apeldoorn

Tel. 088 998 33 93
Fax 088 998 34 94
info@kiwa.nl
www.kiwa.nl

© 2017 Kiwa N.V.

All rights reserved. No part of this book may be reproduced, stored in a database or retrieval system, or published, in any form or in any way, electronically, mechanically, by print, photoprint, microfilm or any other means without prior written permission from the publisher.

The use of this evaluation guideline by third parties, for any purpose whatsoever, is only allowed after a written agreement is made with Kiwa to this end

Contents

Foreword		1
Contents		2
1	Introduction	4
1.1	General	4
1.2	Scope	4
2	Definitions	5
3	Product requirements	6
3.1	General	6
3.2	Operation	6
3.3	Materials for valve knobs or handles	6
3.4	Sealing of passages	6
3.5	Rubber Materials	6
3.6	Connections	6
3.6.1	Inlet connection	7
3.6.2	Outlet connection	7
4	Performance requirements	9
4.1	Leak-tightness in locked position	9
4.2	Operating Torque	9
4.3	Resistance against torsion of union connections	9
4.3.1	Test method	10
4.4	Endurance test	10
4.5	Resistance to low temperature	10
4.6	Impact resistance	Error! Bookmark not defined.
4.6.1	Test method	Error! Bookmark not defined.
4.7	Resistance to high temperatures	10
5	Marking, instructions and packaging	12
5.1	Marking	12
5.2	Instructions	12
5.3	Packaging	12
6	Quality system requirements	13

7	Summary of tests	14
7.1	Test matrix	Error! Bookmark not defined.
8	List of referenced documents and source	15
8.1	Standards / normative documents	15
8.2	Source	15

CONCEPT

1 Introduction

1.1 General

This GASTEC QA approval requirement in combination with the GASTEC QA general requirements include all relevant requirements, which are adhered by Kiwa as the basis for the issue and maintenance of a GASTEC QA certificate for manually operated ball valves and closed bottom taper plug valves for gas installations for buildings

This GASTEC QA Approval requirements replace the GASTEC QA Approval Requirements 69-1 "Manually operated ball valves and closed bottom taper plug valves for gas installations for buildings" dated May 2014 and amendment November 2015.

List of changes:

- Requirements added for resistance to high temperatures
- Requirements for self-extinguishing of the knob or handle is replaced to the resistance of high temperatures
- Update to the new format for GASTEC QA approval requirements
- These approval requirements have been fully reviewed textually.
- All general requirements have been deleted and included in the GASTEC QA general requirements document
- Change of paragraphs
- Update of list of referenced documents

1.2 Scope

These approval requirements specify the requirements for manually operated ball valves and closed bottom taper plug valves for domestic and commercial installations not directly buried, inside or outside of buildings, using gases of the second and third family as specified in EN 437.

The maximum working pressure of the manually operated ball valves and closed bottom taper plug valves are 0,2, 0,5, 1, 5 or 20 bar.

The specific functional recommendations for application of these valves are described in the requirements and measuring methods NEN 1078 an NEN 2078.

Manually operated ball valves can be applied in the following field of application:

- Used in gas installations for separating different section. In this application NEN 1078 applies for gas installations in buildings and NEN 2018 applies for industrial gas installations
- Used as a connecting tap in connecting lines with appliances. For this application the Dutch code of practice NPR 3378-11 applies.
- Used as a main stop for service connections by utility services, upstream the gas meter and pressure regulator (if any) in distribution systems. In this application NEN 7244-10 applies.

2 Definitions

In this approval requirement, the following terms and definitions are applicable:

Board of Experts: The Board of Experts Gastec QA.

Supplier: the party that is responsible for ensuring that the products meet and continue to meet the requirements on which the certification is based.

Manufacturer: the party that produces the product.(not necessary the supplier).

CONFIDENTIAL

3 Product requirements

3.1 General

Manually operated ball valves and closed bottom taper plug valves shall meet the requirements according to NEN-EN 331:2015 "Manually operated ball valves and closed bottom taper plug valves for gas installations for buildings".

Supplementary to that stated in NEN-EN 331: 2015 the following requirements must be met:

3.2 Nominal diameters

Valve nominal sizes (DN) covered by these approval requirements are as follows: 6, 8, 10, 12, 15, 20, 25, 32, 40 and 50.

3.3 Reaction to fire

Contrary to EN 331:2015, clause 4.1, the manually operated ball valves and closed bottom taper plug valves shall meet the requirements of clause 4.6 of this approval requirement.

3.4 Operation

In addition to NEN-EN 331:2015, clause 4.2.10, breakage or removal of the valve knob or handle may never lead to leakage of the valve. It shall be possible, if required with the help of auxiliary tools, to operate the valve in case of absence of the knob or handle.

3.5 Materials for valve knobs or handles

The knob or handle must be made of metal or plastic. If the knob or handle is made of plastic, the plastic should be tested according to clause 4.6 of this approval requirement. The material should be self-extinguishing within 5 seconds.

3.6 Sealing of passages

Passages between movable parts of gas conducting spaces and the environment may not be sealed with the help of re-adjustable packing bushes. The sealing construction in the valve must ensure good sealing in all valve positions i.e. any position between open and closed and in the locked position.

3.7 Rubber Materials

In addition to NEN-EN 331:2015, clause 4.2.1.4, the elastomeric sealing material shall comply with EN 549, minimum class A2 or with EN 682, type GAL or GBL.

3.8 Connections

In addition to NEN-EN 331:2015, clause 4.2.12, it is permitted to provide the valve with one of the following connections. The connections must comply with the relevant requirements or standards. Threaded inlet and outlet connections for valves with pressure-tight joints, made on the threads, shall conform NEN-EN 10226-1.

3.8.1 Inlet connection

- Couplings for full end-load mechanical joints in polyethylene pipeline systems, shall be in accordance with GASTEC QA Approval Requirements 70.
- Compression fittings for connecting copper tubes, shall be in accordance with GASTEC QA Approval Requirements 35.
- Press Fittings for joints in copper and metal gas pipes, shall be in accordance with GASTEC QA Approval Requirements 186.

3.8.2 Outlet connection

- Compression fittings for connecting copper tubes, shall be in accordance with GASTEC QA Approval Requirements 35.
- Press Fittings for joints in copper and metal gas pipes, shall be in accordance with GASTEC QA Approval Requirements 186.
- Union couplers shall be in accordance with NEN 2541, NEN 2542, NEN 2544 and a rubber gasket with dimensions according to NEN 2545 and hardness according to NEN-EN 549 class H3.

If a construction is used to secure the union nut behind the liner, other than specified in the NEN 2542 and NEN 2544, then at least the following dimensions specified in the NEN 2542 and NEN 2544 shall be maintained:

The liner (figure 2):

- Dimensions d_4 , d_3 , d_2 , dimensions of detail A and when grip areas for mounting are necessary v , w , t , u or s , h and g , sizes as mentioned in NEN 2542.
- The maximum bore shall be equal or more than dimension d_1 .

The union nut (figure 3):

- Dimensions s and m (the thread shall be according to ISO 228-1)
- The minimum total high of the key face shall be equal or greater than length p .
- After mounting the gasket it shall be possible to screw the swivel nut (with thread "t") on the thread (l) of the valve part (figure 1) with a minimum thread length of $\frac{3}{4} \times l$.

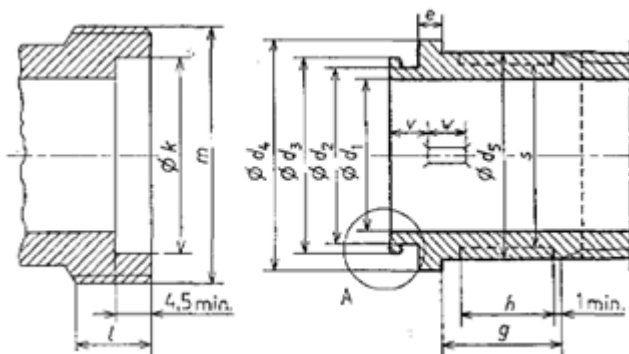
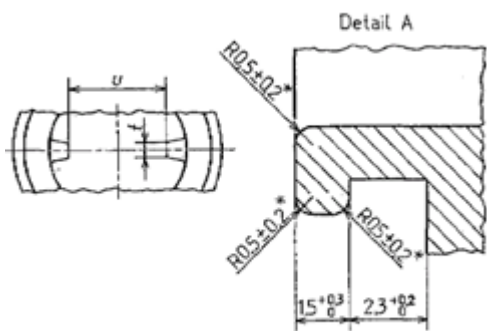


Figure 1: valve part



* Afschuining $0,5 \pm 0,2 \times 45^\circ$ toelaatbaar

Figure 2: Liner

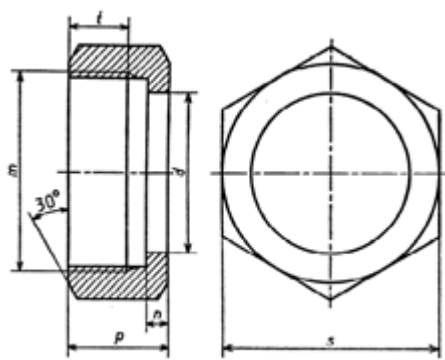


Figure 3: Union nut

All Dimensions will be found in NEN 2541, NEN 2542, NEN 2544 and NEN 2545.

4 Performance requirements

4.1 Leak-tightness in locked position

In addition to NEN-EN 331:2015, clause 5.2, the external and internal leak-tightness should also be measured with the knob or handle of the valve in the "locked closed" position.

4.2 Operating Torque

Contrary to NEN-EN 331:2015, clause 4.7, the operating torque may not exceed the values as given in table 1.

DN	Torque (N-m)
	Ambient and low temperature max.*
≤ 15	1
20	1
25	1.8
32	4
40	7
50	10

*The torque required for the preliminary cycle must not be greater than three times the maximum value at ambient temperature given for the size of the valve.

Table 1: Operation torque

4.3 Resistance against torsion of union connections

In addition to NEN-EN 331:2015, clause 4.7.2, the union coupler must resist a torque according to table 2, applied on the union nut. Under the test circumstances according to clause 4.3 (test method) of this standard, the union connection may not show any permanent deformations and/or damage and it must be gastight when tested according to NEN-EN 331:2015, clause 5.2.

Dimension m nut	Torsion moment in Nm 10 s test
1/2" (DN12)	20
3/4" (DN15)	30
1" (DN20)	40
1 1/4" (DN25)	55
1 1/2" (DN32)	80
2" (DN40)	100
2 1/2" (DN50)	120

Table 2: Torque resistance of union connections

If a construction is used to secure the union nut behind the liner, other than specified in the NEN 2542 and NEN 2544, an additional test shall be done. The union nut shall be tightened with a torque of 6 Nm x DN size for 10 s. The nut will not be allowed to come loose from the liner.

Test method

Fix the inlet side of the valve firmly with appropriate connection facilities. Fix the union coupling on the outlet side by means of a swivel nut with a torsion moment according to table 2. Maintain this torsion moment for 10 sec. Remove the torsion moment and measure the external gas tightness according to NEN-EN 331: 2015, clause 5.2.

If a construction is used to secure the union nut behind the liner, other than specified in the NEN 2542 and NEN 2544 then do an additional test and apply a moment of $6 \text{ Nm} \times \text{DN size}$ to the swivel nut for 10s. The nut will not be allowed to come loose from the liner. Remove the torsion moment and measure the external gas tightness according to NEN-EN 331: 2015, clause 5.2.

4.4 Endurance test

Contrary to NEN-EN 331:2015, clause 4.10.2.1, after the endurance test the operating torque shall comply to the requirements given in clause 4.2 of this approval requirement.

4.5 Resistance to low temperature

Contrary to NEN-EN 331:2015, clause 4.10.2.2, the operation torque must conform to the requirements given in clause 4.2 of this approval requirement.

4.6 Resistance to high temperatures

The manually operated ball valves and closed bottom taper plug valves (including handle or knob with plastic cover, if applicable) shall be resistant to a radiation heat of 10 kW/m^2 during 30 minutes. The leakage shall be $\leq 5 \text{ l/h}$ after testing.

Test method

The test shall be performed at a temperature of $20 \text{ }^\circ\text{C} \pm 5 \text{ }^\circ\text{C}$. The test samples shall be conditioned at least 24h before testing at a temperature of $20 \text{ }^\circ\text{C} \pm 5 \text{ }^\circ\text{C}$ and a humidity of $60 \% \pm 20 \%$.

The test is performed in a horizontally test equipment as shown in figure 1. The leakage shall be measured in accordance to Annex A of EN 1775:2007.

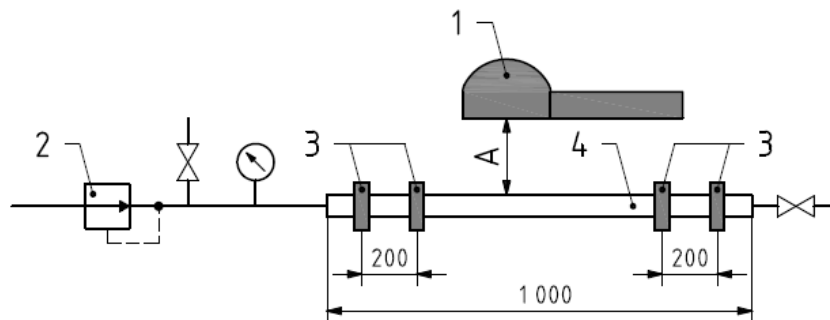


Figure 1

Legend:

1 heat cup

2 measuring system as described in appendix A of NEN-EN 1775:2007

3 mounting brackets

4 to be tested sample

A distance between heat cup and surface of the assembled component (for example the outside of a casing)

The test sample shall be mounted in the test equipment without stress or tension on the test sample, see figure 1.

Before the start of the high temperature test, the sample is tested on leakage at 200 mbar during 5 minutes. Record the leakage value (l/h)

Expose the test sample during 30 minutes to a heat radiation of 10 kW/m². The distance between the heating cup and the sample shall be calculated with the data on the calibration file of the heating cup.

Determine the leakage after the high temperature test during 5 minutes at 200 mbar. Record the value (l/h).

COMPLETED

5 Marking, instructions and packaging

5.1 Marking

In addition to clause 7.1 of NEN-EN 331: 2015 the housing of the valve and the connecting parts shall be clearly and durably marked with:

- The GASTEC QA marking.

5.2 Instructions

As stated in NEN-EN 331: 2015 clause 7.2, the supplier shall provide instructions. These instructions shall be in the Dutch language.

5.3 Packaging

Packaging shall comply with clause 7.3 of NEN-EN 331: 2015

CONCEPT

6 Quality system requirements

The supplier shall make a risk assessment of the product and production process according to chapter 3.1.1.1 and 3.1.2.1 of the GASTEC QA general requirements. The risk assessments shall be available to Kiwa for review.

CONCEPT

7 Summary of tests

This chapter contains a summary of tests to be carried out during:

- The initial product assessment;
- The periodic product verification;

7.1 Test matrix

Description of requirement	Clause (EN 331)	Test within the scope of		
		Initial product assessment	Product verification	Frequency
<i>Product requirements</i>				
Materials	4.2.1	X	X	Once a year
Construction	4.2.2	X	X	Once a year
Product appearance	4.2.3	X	X	Once a year
Valve maintenance	4.2.4	X		
Springs	4.2.5	X		
Wall thickness	4.2.6	X	X	Once a year
Plug valves	4.2.7	X		
Angular seal	4.2.8	X		
Seals	4.2.9	X	X	Once a year
Operation	4.2.10	X		
Stops	4.2.11	X		
Joints	4.2.12	X		
<i>Functional requirements</i>				
Pressure classes	4.3.1	X	X	Once a year
Temperature classes	4.3.2	X	X	Once a year
High temperature resistance classes	4.3.3	X	X	Once a year
Tightness (gas): leak tightness	4.4	X	X	Once a year
Effectiveness: rated flow rate	4.5	X		
Resistance to high temperature	4.6	X		
Operating torque	4.7.1	X	X	Once a year
Torque and bending mechanical strength	4.7.2	X	X	Once a year
Safeguard against overloading of the handle – stop resistance	4.8	X	X	Once a year
Release of dangerous substances	4.9	X		
Endurance	4.10.2.1	X	X	Once a year
Resistance to low temperature	4.10.2.2	X		
Marking, labelling, instructions and packaging	7	X	X	Once a year
Additional GASTEC QA requirements AR 69-1				
Nominal diameters	3.2	X		
Reaction to fire	3.3	X		
Operating	3.4	X		
Material of handle and knob	3.5	X	X	Once a year
Sealing of passages	3.6	X		
Rubber material	3.7	X	X	Once a year
Connections	3.8	X		
Leak tightness in locked position	4.1	X	X	Once a year
Operating torque	4.2	X	X	Once a year
Resistance against torsion on union connections	4.3	X		
Endurance	4.4	X	X	Once a year
Resistance to low temperatures	4.5	X		
Resistance to high temperatures	4.6	X		
Marking, instructions and packaging	5	X	X	Once a year

8 List of referenced documents and source

8.1 Standards / normative documents

All normative references in this Approval Requirement refer to the editions of the standards as mentioned in the list below.

NEN 7244-10: 2010 / A1:2013	Gas supply systems – Pipelines for maximum operation pressure up to 16 bars – Part 10: Specific functional requirements for housing for installations and housing for meters with a maximum inlet pressure of 100 mbars and a maximum design capacity of 650 m ³ /h.
NEN-EN 331: 2015	Manually operated ball valves and closed bottom taper plug valves for gas installations for buildings
NEN 1078: 2018	Supply for gas with an operating pressure up to and including 500 mbar - Performance requirements - New estate
NEN 2078: 2001	Requirements for industrial gas installations
NEN 2541: 1967	Fittings and connections for gas conduits
NEN 2542: 1967	Fittings and connections with outside thread for gas conduits
NEN 2544: 1967	Coupling nuts for fittings for gas and water conduits
NEN 2545: 1967	Packing rings for fittings for gas conduits
NEN-EN 10226-1: 2004	Pipe threads where pressure tight joints are made on the threads – Part 1: Taper external threads and parallel internal threads.
NPR 3378-11: 2007	Code of practice gas installations – Section gas pipe work – Part 11: Connecting pipe work and taps
NEN-EN 437: 2003 / A1: 2009	Test gases - Test pressures - Appliance categories
NEN-EN 549: 1995	Rubber materials for seals and diaphragms for gas appliances and gas equipment

8.2 Source

Parts of the text of this approval requirement have been based on NEN-EN 331:2015 and NEN 1078:2018.